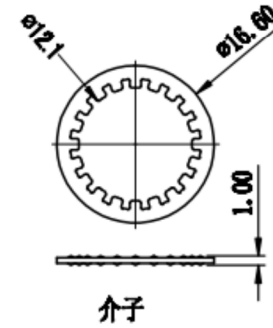
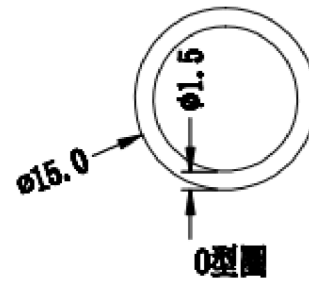
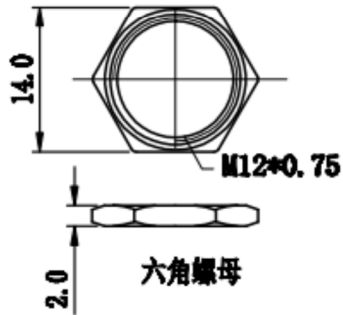
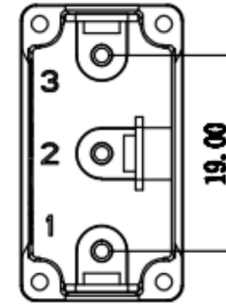
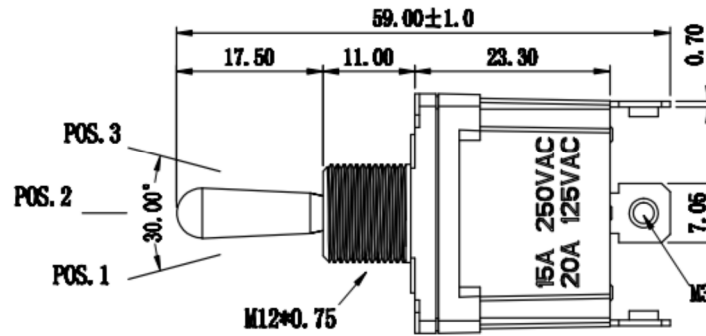
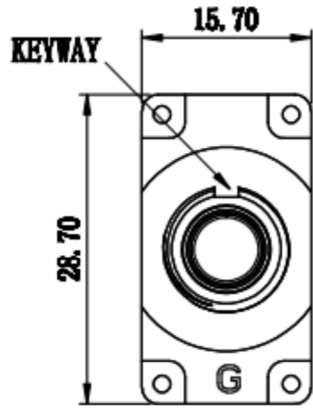


安裝孔尺寸
Without locking ring.



手柄位置及導通端子示意圖

	POS. 1	POS. 2	POS. 3
Model			
NO.	ON	OFF	ON
SCHEMATIC		OPEN	



東莞市高迪電子有限公司
DONG GUAN GAO DI ELECTRONICS CO., LTD

TOLERANCE UNLESS OTHERWISE STATED:
Up to 5 ±0.2
Above 5 ~ 15 ±0.3
Above 15 ~ 30 ±0.4
Above 30 ~ 50 ±0.5
Angle ±0.3

3RD. ANGEL'S



UNITS MM

DRAWN BY: Ming Ming Zou
CHECKED BY: Ning Ning Su
APPROVED BY: Jia Xiang

DATE: 07/23/13
DATE: 07/23/13
DATE: 07/23/13

MAT'L
FINISH
SCALE: 1 : 1
SHEET NO. 1 of 1

TITLE: ENCODER
MODLE: ENCODER
DWG NO.: GD-TW1-0-103-A00A0-M00-A-WP
PART NO.:

SIZE: A4
VER: R2

ITEM NO.	DESCRIPTION	DRAWN	DATE
2	公差及料號更新	Jack	072313
1	圖面更新	Frank Wu	021012