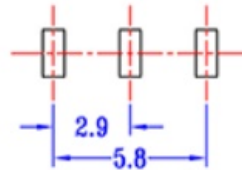
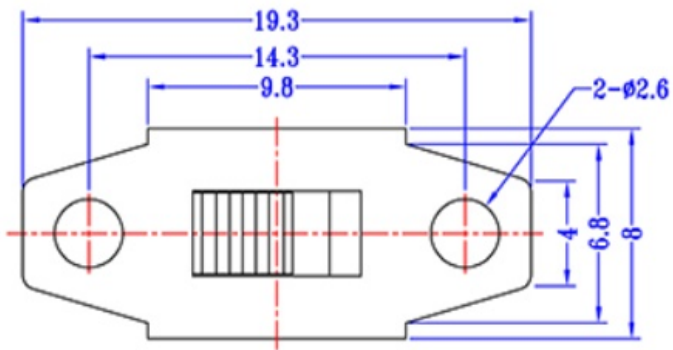
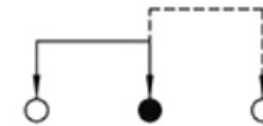


X(mm)
2mm
3mm
4mm
5mm
6mm
7mm
8mm
9mm



P.C.B LAYOUT
BOTTOM VIEW



SCHEMATIC (NON-SHORTING)

1. 额定值：1.5A 125V AC
2. 接触电阻：30mΩ以下
3. 绝缘电阻：100兆欧以上
4. 耐电压：AC500V/1min
5. 操作力度：350gf±100gf
6. 寿命：空载寿命10000次负载寿命5000次
7. 拨动行程：4.5mm
8. 耐焊性试验：焊炉焊接的时候温度控制在260±3°C,过炉时间为3±0.5秒,于基板厚度为1.6mm

NO.	DESCRIPTION	QTY	MATERIAL	REMARK
7	STEEL BALL	1	STAINLESS	Natural
6	SPRING	1	STAINLESS	Natural
5	CONTACT CLIP	1	PHOSPHOR BRONZE	Ag-plated
4	TERMINAL	4	BRASS	Ag-plated
3	BASE	1	PHENOLIC RESIN	Natural
2	FRAME	1	SPCC	Ni-Plated
1	KNOB	1	POM	Black

ITEM NO.	DESCRIPTION	DRAWN	DATE
3	新增SPEC	Jack	11/2014
2	更新材質	Jack	04/2014
1	更新尺寸6.0改5.8	Jack	03/17/14



东莞市高迪电子有限公司
DongGuan KDRR Electronic Switch Jack Co., Ltd.

TOLERANCE UNLESS OTHERWISE STATED:
 Up to 5 ±0.2
 Above 5 ~ 15 ±0.3
 Above 15 ~ 30 ±0.4
 Above 30 ~ 50 ±0.5
 Angle ±0.3

3RD. ANGEL'S

UNITS MM

DRAWN BY:	DATE	MAT'L	TITLE	SWITCH
Jack Lu	11/20/14			
CHECKED BY:	DATE	FINISH	MODLE	SLIDE SWITCH
Jacky Chen	11/20/14			
APPROVED BY:	DATE	SCALE	DWG NO.	SIZE
Tony Kao	11/20/14	1:1		A4
		SHEET NO.	PART NO.	VER
		1 of 1		R3