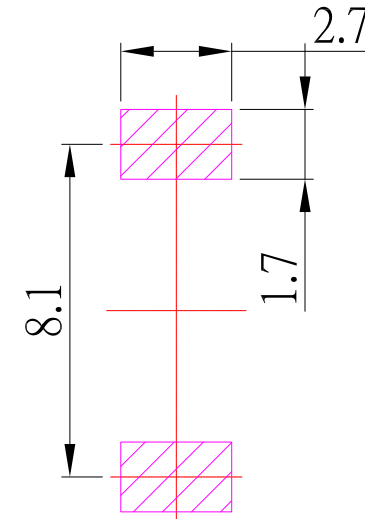
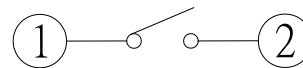
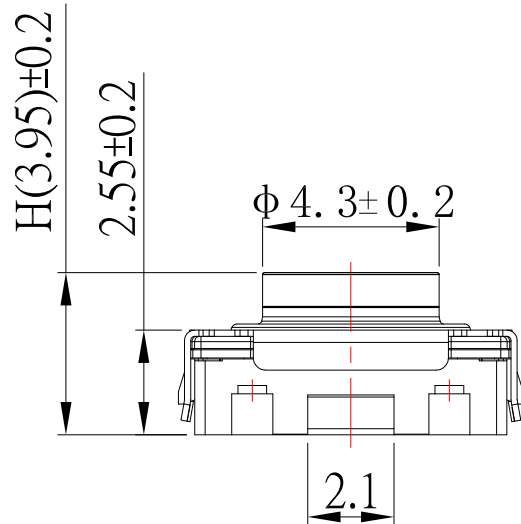


IP67



P.C.B MOUNTING PATTERN DIMENSION



CIRCUIT DIAGRAM

SPECIFICATIONS

Rating	DC 12V 50mA Max.
Contact Resistance	100mΩ Max.
Travel	0.90 ± 0.2mm
Operating Force	400 ± 80gf
Operating Life (cycles)	500,000

NO	PART NAME	QTY	MATERIAL	REMARK
5	TERMINAL (端子)	1	BRASS	Ag plating
4	HOUSING (基座)	1	LCP	—
3	CONTACT FORM (弹片)	1	SUS	Ag plating
2	COVER (盖板)	1	SUS	
1	STEM (按钮)	1	SILICONE	

ITEM NO.	DESCRIPTION	DRAWN	DATE
2	更新材質	Jack	091521
1	新增IP67標示	Jack	062421

東莞市高迪電子有限公司  
DONG GUAN GAO DI ELECTRONICS CO., LTD

TOLERANCE UNLESS OTHERWISE STATED :

Up to 5 ±0.2  
Above 5 ~ 15 ±0.3  
Above 15 ~ 30 ±0.4  
Above 30 ~ 50 ±0.5  
Angle ±0.3

3RD. ANGEL'S



UNITS MM

DRAWN BY: Jack Lu  
DATE: 09/15/21  
CHECKED BY: Jacky Chen  
DATE: 09/15/21  
APPROVED BY: Tony Kao  
DATE: 09/15/21

MAT'L	TITLE	SIZE
	SWITCH	A4
FINISH	MODLE	VER
SCALE 1 : 1	DWG NO. TS-A69W-7-S138	R2
SHEET NO. 1 of 1	PART NO. TS-A69W-7-S138	