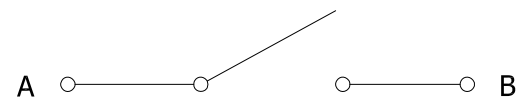
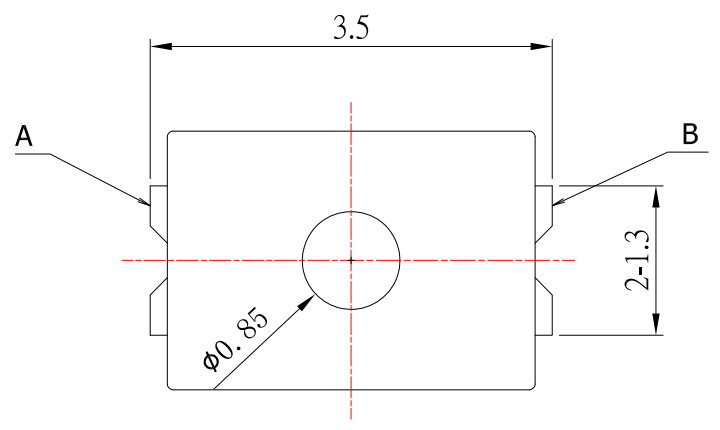
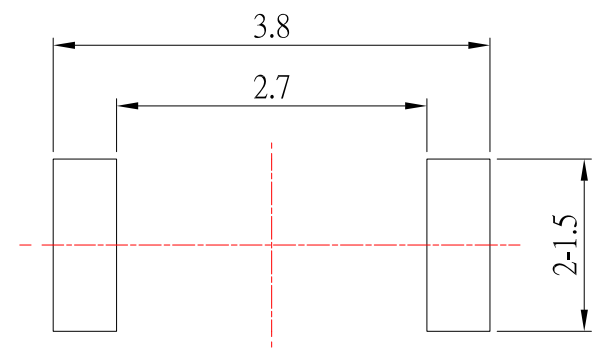


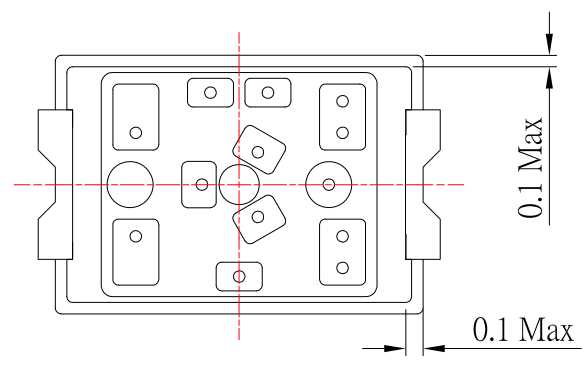
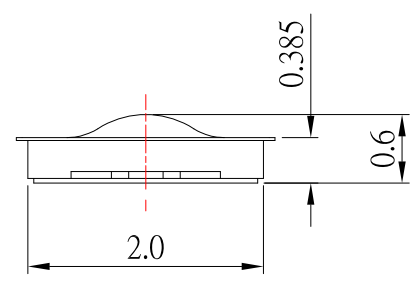
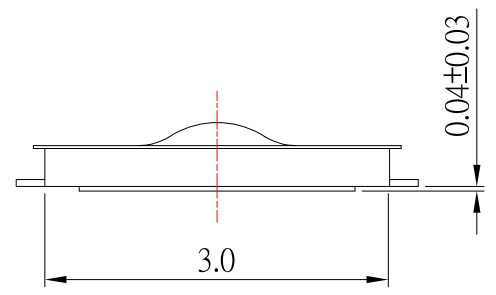
IP67



CIRCUIT DIAGRAM



P.C.B LAYOUT MOUNTING PATTERN



SPECIFICATIONS

| | | | | |
|-------------------------|--------------|------------|---------|------------|
| Rating | DC 15V 20mA | | | |
| Contact Resistance | 500mΩ Max. | | | |
| Travel | 0.13 ± 0.1mm | | | |
| Operating Force | 3 | 240 ± 70gf | 4 | 330 ± 70gf |
| Operating Life (cycles) | 500,000 | | 300,000 | |

| | | | |
|----------|---------------------|-------|--------|
| 5 | 更新尺寸 | Jack | 061919 |
| 4 | 新增尺寸公差 | Jack | 061418 |
| 3 | IP67標示位置更新 | Jack | 091417 |
| 2 | 更新尺寸 | Jack | 081816 |
| 1 | 新增Water-proof level | Jack | 081616 |
| ITEM NO. | DESCRIPTION | DRAWN | DATE |

東莞市高迪電子有限公司
DONG GUAN GAO DI ELECTRONICS CO., LTD

TOLERANCE UNLESS OTHERWISE STATED:
 Up to 5 ±0.2
 Above 5 ~ 15 ±0.3
 Above 15 ~ 30 ±0.4
 Above 30 ~ 50 ±0.5
 Angle ±0.3

3RD. ANGEL'S UNITS MM

| | |
|--------------|----------|
| DRAWN BY: | DATE |
| Jack Lu | 06/19/18 |
| CHECKED BY: | DATE |
| Jacky Chen | 06/19/18 |
| APPROVED BY: | DATE |
| Tony Kao | 06/19/18 |

| | | |
|-----------|--------|---------------------------------|
| MAT'L | TITLE | SWITCH |
| FINISH | MODLE | TACT SWITCH(內置按鈕)for Waterproof |
| SCALE | 1 : 1 | DWG NO. TS-A29A-x-S048 |
| SHEET NO. | 1 of 1 | PART NO. TS-A29A-x-S048 |
| | | SIZE A4 |
| | | VER R5 |