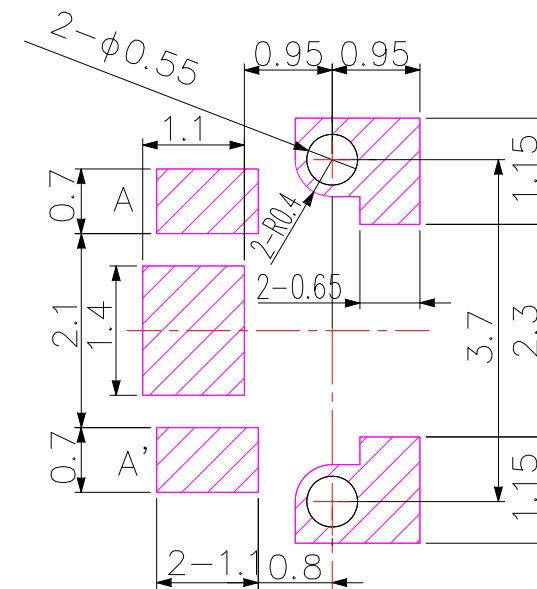
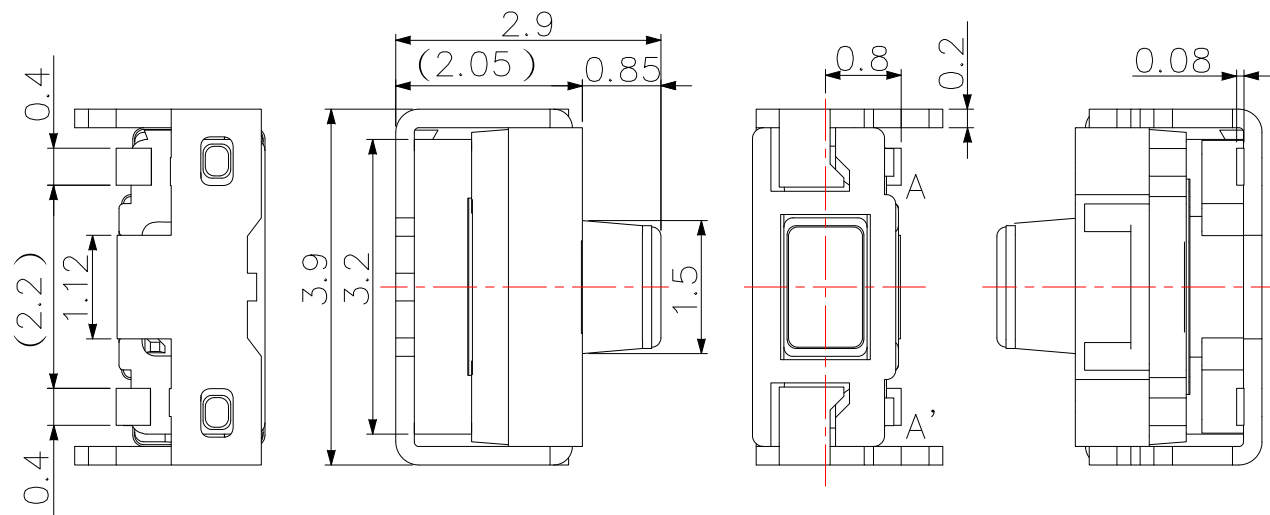
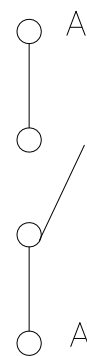
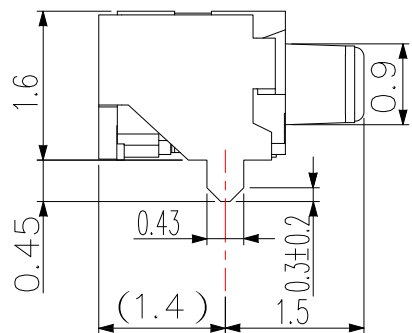


IP67



P.C.B LAND PATTERN & HOLE



CIRCUIT DIAGRAM

SPECIFICATIONS

Rating	DC 15V 20mA
Contact Resistance	100m Ω Max.
Travel	0.12 mm
Operating Force	160 \pm 50gf
Operating Life (cycles)	500,000

東莞市高迪電子有限公司
DONG GUAN GAO DI ELECTRONICS CO., LTD

TOLERANCE UNLESS OTHERWISE STATED

Up to 5 \pm 0.2
Above 5 ~ 30 \pm 0.3
Above 30 ~ 50 \pm 0.4
Above 50 \pm 0.5
Angle \pm 0.3°

3RD. ANGEL'S



UNITS

MM

DRAWN BY: Jack Lu
DATE: 06/07/21
CHECKED BY: Jacky Chen
DATE: 06/07/21
APPROVED BY: Tony Kao
DATE: 06/07/21

MAT'L		TITLE	SWITCH
FINISH		MODLE	TACT SWITCH R/A WATERPROOF TYPE
SCALE	1 : 1	DWG NO.	TS-309W-2-S182
SHEET NO.	1 of 1	PART NO.	TS-309W-2-S182
		SIZE	A4
		VER	R

ITEM NO.	DESCRIPTION	DRAWN	DATE