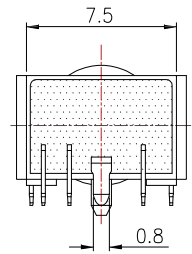
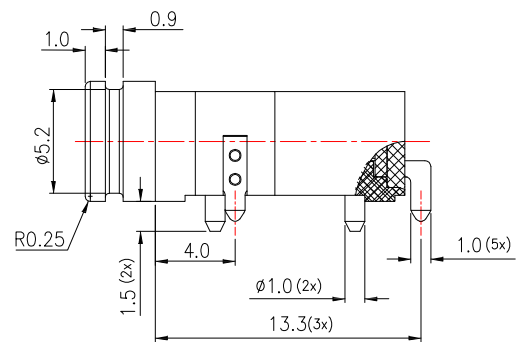
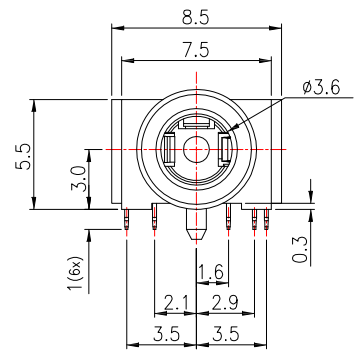
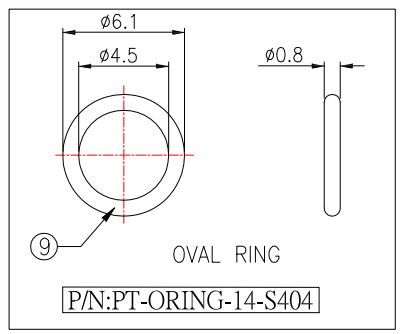
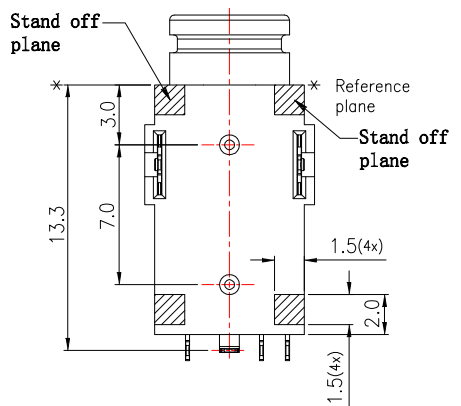


Recommended PCB Layout
(Top view)



SPECIFICATION

1. Rating : 12V , 1.0A
1. Contact resistance : $\leq 30m\Omega$
2. Insulation resistance : $\geq 100M\Omega$
3. Withstand voltage : 500VAC
5. Insertion and extraction force : 3-30N
6. life test : 5,000 cycles
7. Waterproof Level: IPx7



⑨	OVAL RING	----	1	SILICONE	GREEN
⑧	BOND	----	1	EPOXY	----
⑦	TERMINAL	----	2	C2680	Matte Sn ; Ni underplc
⑥	TIP SPRING-2	④	1	C5210	
⑤	RING SPRING	③	1	C5210	
④	TIP SPRING-1	②	1	C5210	
③	EARTH SPRING	①	1	C5210	
②	COVER	----	1	PA9T	
①	HOUSING	----	1	PA9T	
ITFM	PART NAMF	TFRMINAL	OTY	MATFRIAL	RFMARK

東莞市高迪電子有限公司
DONG GUAN GAO DI ELECTRONICS CO., LTD

TOLERANCE UNLESS OTHERWISE STATED :
 Up to 5 ±0.2
 Above 5 ~ 15 ±0.3
 Above 15 ~ 30 ±0.4
 Above 30 ~ 50 ±0.5
 Angle ±0.3

3RD. ANGEL'S

UNITS MM

DRAWN BY:	DATE	MAT'L	TITLE	JACK
Jack Lu	08/03/20			
CHECKED BY:	DATE	FINISH	MODLE	3.5mm PHONE JACK 防水型
Jacky Chen	08/03/20			
APPROVED BY:	DATE	SCALE	DWG NO.	PJ-WP35434C-S404
Tony Kao	08/03/20	1 : 1	PART NO.	PJ-WP35434C-S404
		SHEET NO.	1 of 1	
				SIZE A4
				VER R1

1	新增搭配O-RING料號	Jack	080320
ITEM NO.	DESCRIPTION	DRAWN	DATE