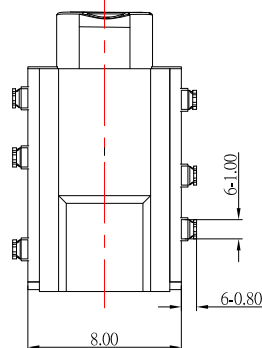
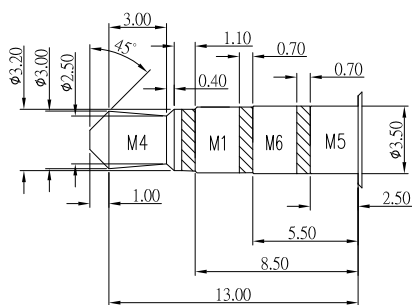
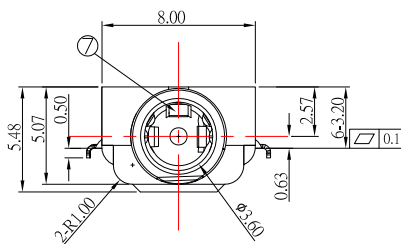
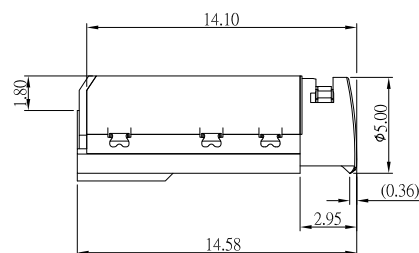
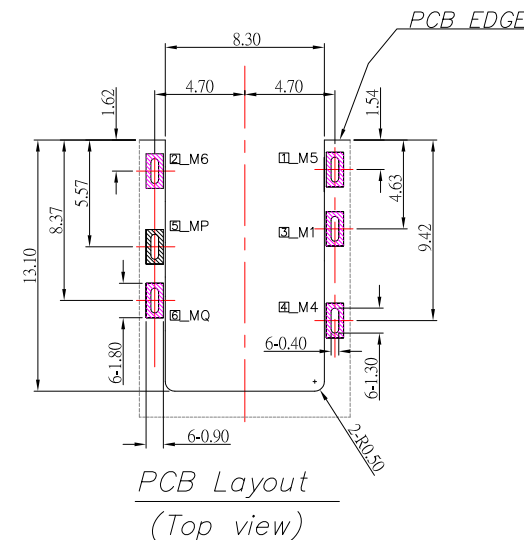
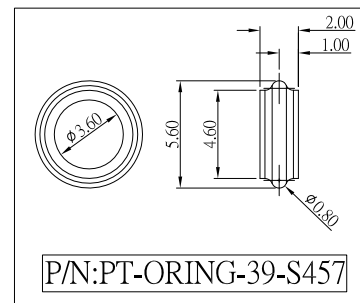
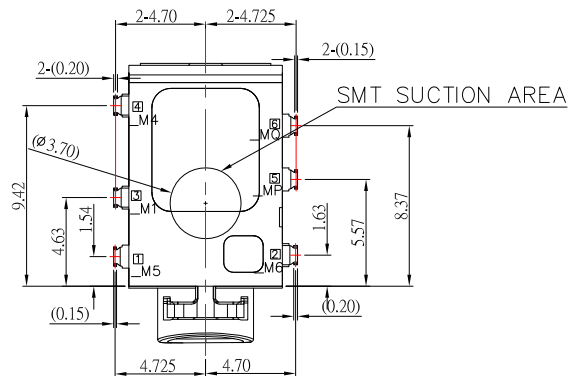
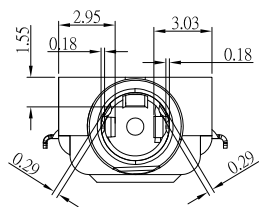
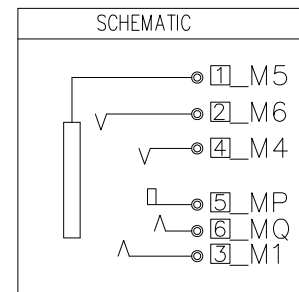


IP67



REFERENCE 4 POLE PLUG



SPECIFICATION

- Rating: 6V AC ,1.8A
- Contact resistance :  $\leq 50m\Omega$
- Insulation resistance :  $\geq 100M\Omega$
- Withstand voltage : 250VAC
- Insertion and extraction force : 3-30N
- life test : 10,000 cycles
- Waterproof Lever: IP67

ITEM	DESCRIPTIONs	MATERIAL	FINISH	Q'TY
⑨	P2_HOUSING	PA-9T,BLACK		1
⑧	P1_HOUSING	PA-9T,BLACK		1
⑦	M4F_ASSIST PIN	Stainless Steel		1
⑥	M5_GND-CONTACT	PHOSPHOR BRONZE	Au Plated	1
⑤	M6_R2-CONTACT	PHOSPHOR BRONZE		1
④	M4_TIP-CONTACT	Titanium Copper Alloy		1
③	MQ_ON CONTACT	PHOSPHOR BRONZE		1
②	MP_OS CONTACT	PHOSPHOR BRONZE		1
①	M1_R-CONTACT	PHOSPHOR BRONZE		1

東莞市高迪電子有限公司  
DONG GUAN GAO DI ELECTRONICS CO., LTD

TOLERANCE UNLESS OTHERWISE STATED :  
 Up to 5 ±0.2  
 Above 5 ~ 15 ±0.3  
 Above 15 ~ 30 ±0.4  
 Above 30 ~ 50 ±0.5  
 Angle ±0.3

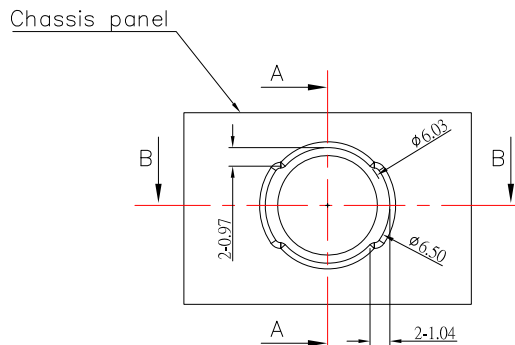
3RD. ANGEL'S

UNITS MM

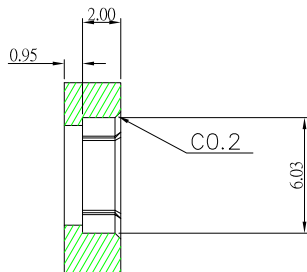
DRAWN BY:	DATE	MAT'L	TITLE	JACK
Jack Lu	12/19/23			
CHECKED BY:	DATE	FINISH	MODLE	3.5mm PHONE JACK 防水型
Jacky Chen	12/19/23			
APPROVED BY:	DATE	SCALE	DWG NO.	PJ-WP32390A-S457
Tony Kao	12/19/23	1 : 1		
		SHEET NO.	PART NO.	PJ-WP32390A-S457
		1 of 1		
				SIZE A4
				VER R

ITEM NO.	DESCRIPTION	DRAWN	DATE

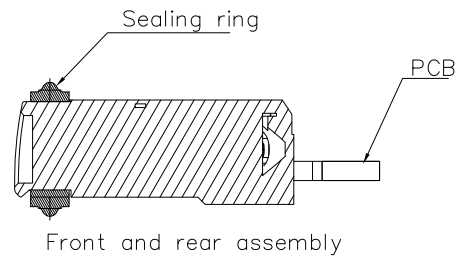
IP67



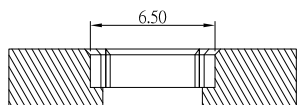
Recommended seal



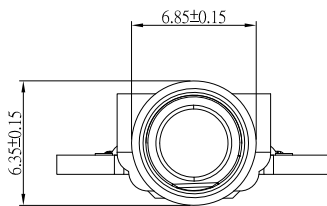
A-A SECTION



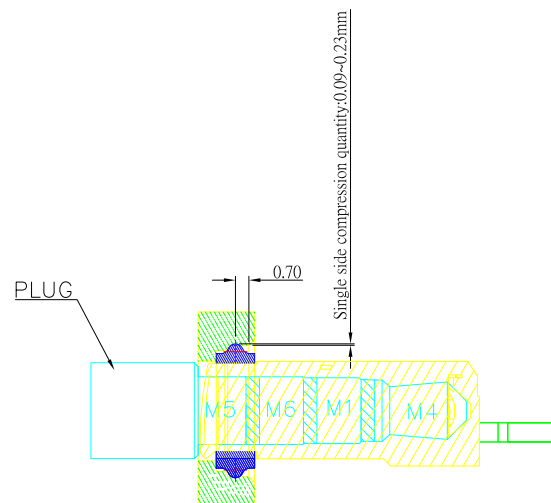
Front and rear assembly



B-B SECTION



Dimensions after O-ring assembly



Schematic diagram of male and female head pointing

東莞市高迪電子有限公司  
DONG GUAN GAO DI ELECTRONICS CO., LTD

TOLERANCE UNLESS OTHERWISE STATED:

Up to 5 ±0.2  
Above 5 ~ 15 ±0.3  
Above 15 ~ 30 ±0.4  
Above 30 ~ 50 ±0.5  
Angle ±0.3°

3RD. ANGEL'S



UNITS MM

DRAWN BY: Jack Lu  
CHECKED BY: Jacky Chen  
APPROVED BY: Tony Kao

DATE: 12/19/23  
DATE: 12/19/23  
DATE: 12/19/23

MATL  
FINISH  
SCALE: 1 : 1  
SHEET NO. 1 of 1

TITLE: JACK  
MODLE: 3.5mm PHONE JACK 防水型  
DWG NO. PJ-WP32390A-S457  
PART NO. PJ-WP32390A-S457

SIZE: A4  
VER: R

ITEM NO.	DESCRIPTION	DRAWN	DATE