



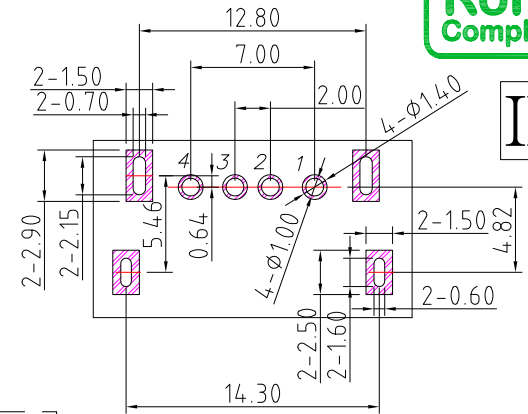
# SUA-WP110H53-x-S165

Insulation Housin Color :

Black: B

White : W

IPX8



PCB LAYOUT

PIN ASSIGNMENT

PIN NO.	1	2	3	4
SINGAL NAME	VBUS	D-	D+	GND

SPECIFICATIONS

Electrical:

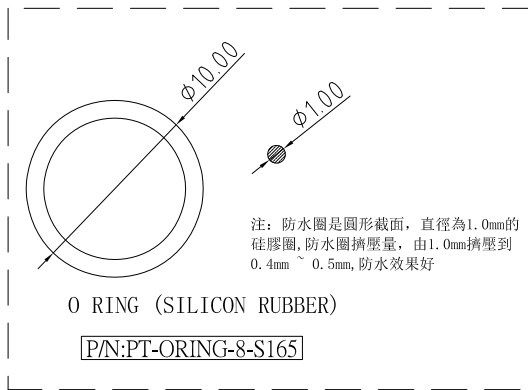
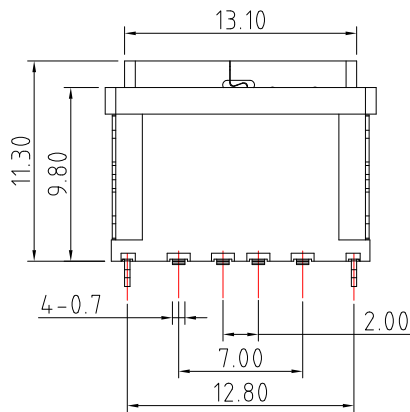
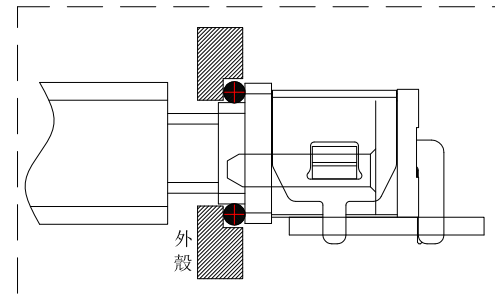
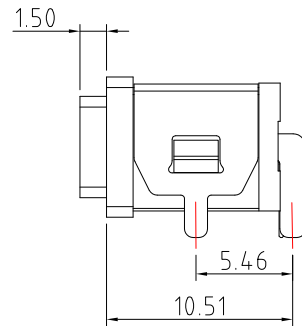
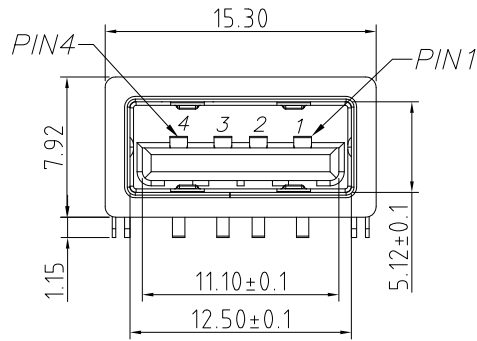
- 1.Rating: 3.0A
- 1.Contact Resistance: 40 mΩ Max
- 2.Insulation Resistance: 100 MΩ Min
- 3.Dielectric Withstanding Voltage: 100V AC

Material:

- 1.Insulation Housing: PA10T
- 2.Contact: Brass
- 3.Shell: SUS

Finish:

- 1.Contact: Plated Gold in Mating Area ;  
Gold Plated on Solder Balls  
Nickel under plated overall



TOLERANCE UNLESS OTHERWISE STATED :  
Up to 5 ±0.2  
Above 5 ~ 30 ±0.3  
Above 30 ~ 50 ±0.4  
Above 50 ±0.5  
Angle ±0.3°

3RD. ANGEL'S



UNITS MM

DRAWN BY: Jack Lu  
CHECKED BY: Jacky Chen  
APPROVED BY: Tony Kao

DATE: 07/31/20  
DATE: 07/31/20  
DATE: 07/31/20

MAT'L		TITLE	CONNECTOR
FINISH		MODLE	USB 2.0 AF RA WATERPROOF
SCALE	1 : 1	DWG NO.	SUA-WP110H53-x-S165
SHEET NO.	1 of 1	PART NO.	SUA-WP110H53-x-S165

ITEM NO.	DESCRIPTION	DRAWN	DATE
1	新增PCB LAYOUT尺寸	Jack	073120