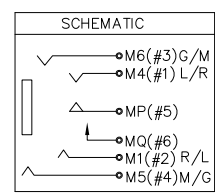
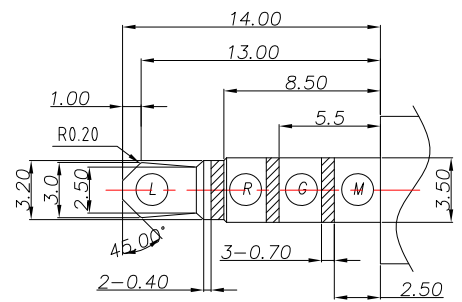
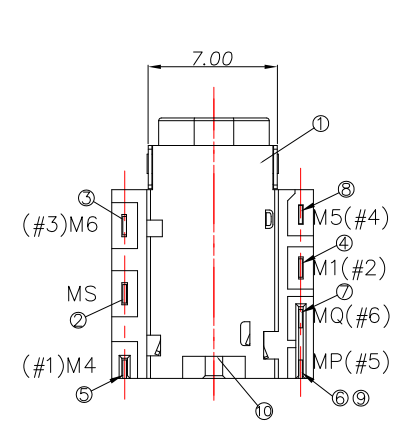


P.C.B LAYOUT TOP VIEW



SPECIFICATION

- 1.Contact resistance : $\leq 50m\Omega$;
- 2.Insulation resistance : $\geq 100M\Omega$;
- 3.Withstand voltage : 250VAC ;
- 4.Insertion and extraction force : 3-30N;
- 5.life test : 5,000 cycles °

ITEM	DESCRIPTIONs	MATERIAL	FINISH	Q'TY
⑩	DUMMY PIN	SUS	—	1
⑨	SEPARATOR	PA9T	BLACK	1
⑧	M5_CONTACT	C5210	Overall nickel plating, CONTACT AREA GOLD FLASH.	1
⑦	MQ_SHUNT	C5210		1
⑥	MP_CONTACT	C5210		1
⑤	M4_CONTACT	C5210		1
④	M1_CONTACT	C5210		1
③	M6_CONTACT	C5210		1
②	MS_SHELL	C5210	Ni	1
①	P1_HOUSING	PA9T	BLACK	1

東莞市高迪電子有限公司
DONG GUAN GAO DI ELECTRONICS CO., LTD

TOLERANCE UNLESS OTHERWISE STATED :
Up to 5 ±0.2
Above 5 ~ 15 ±0.3
Above 15 ~ 30 ±0.4
Above 30 ~ 50 ±0.5
Angle ±0.3°

3RD. ANGEL'S

UNITS MM

DRAWN BY:	DATE	MAT'L	TITLE	JACK
Jack Lu	12/11/23			
CHECKED BY:	DATE	FINISH	MODLE	PHONE JACK
Jacky Chen	12/11/23			
APPROVED BY:	DATE	SCALE	DWG NO.	PJ-T3R3A-S214
Tony Kao	12/11/23	1 : 1		
		SHEET NO.	PART NO.	PJ-T3R3A-S214
		1 of 1		

ITEM NO.	DESCRIPTION	DRAWN	DATE