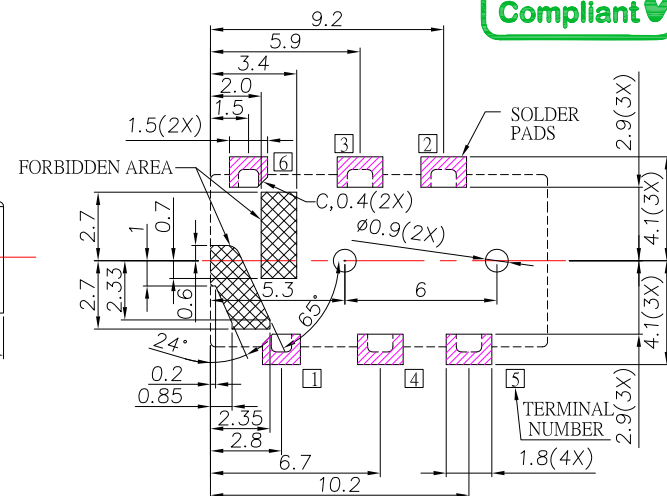
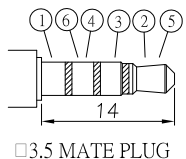
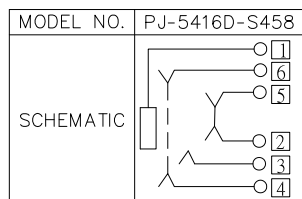
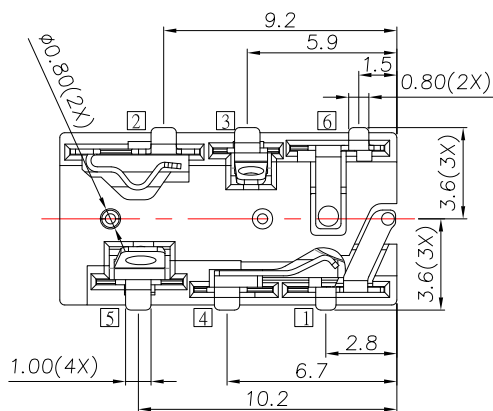


A DETAIL



RECOMMENDED PCB LAYOUT (TOP VIEW)



SPECIFICATION

1. Rating : DC 12V 1.0A
2. Contact resistance: $\leq 50m\Omega$
3. Insulation resistance: $\geq 100M\Omega$
4. Withstand voltage: 500VAC
5. Insertion and extraction force: 3-30N
6. life test: 5,000 cycles

⑦ Terminal 6	⑥	1	Phosphor Bronze	Gold flash on contact area, gold flash plated on solder tail Area, all over nickel plated
⑥ Terminal 5	⑤	1	Phosphor Bronze	
⑤ Terminal 4	④	1	Phosphor Bronze	
④ Terminal 3	③	1	Phosphor Bronze	
③ Terminal 2	②	1	Phosphor Bronze	
② Terminal 1	①	1	Phosphor Bronze	
① Housing		1	PA10T	Black
NO.	DESCRIPTION	QTY	MATERIAL	REMARK

東莞市高迪電子有限公司
DONG GUAN GAO DI ELECTRONICS CO., LTD

TOLERANCE UNLESS OTHERWISE STATED :
 Up to 5 ±0.2
 Above 5 ~ 15 ±0.3
 Above 15 ~ 30 ±0.4
 Above 30 ~ 50 ±0.5
 Angle ±0.3°

3RD. ANGEL'S

UNITS MM

DRAWN BY:	DATE	MAT'L	TITLE	JACK
Jack Lu	07/10/23			
CHECKED BY:	DATE	FINISH	MODLE	PHONE JACK
Jacky Chen	07/10/23			
APPROVED BY:	DATE	SCALE	DWG NO.	PJ-5416D-S458
Tony Kao	07/10/23	1 : 1		
		SHEET NO.	PART NO.	PJ-5416D-S458
		1 of 1		
				SIZE A4
				VER R

ITEM NO.	DESCRIPTION	DRAWN	DATE