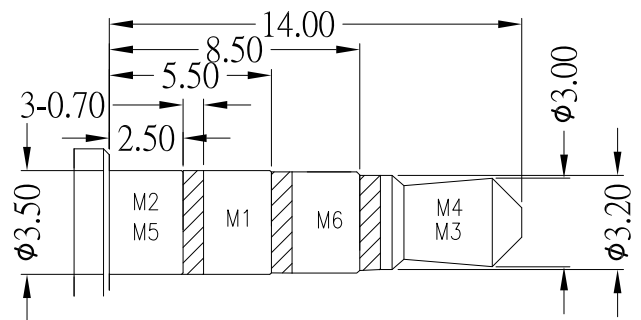
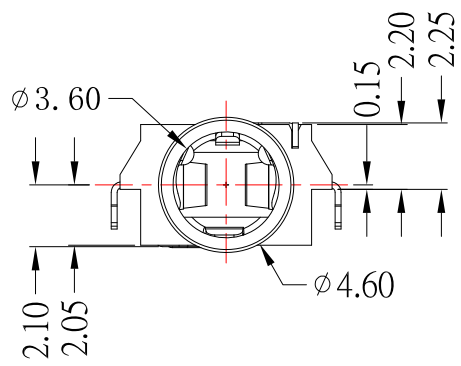


P.C.B LAYOUT  
TOP VIEW



3.5 MATE PLUG

MODEL NO.	PJ-5356D
SCHEMATIC	

SPECIFICATIONS:

- CURRENT RATING: 0.3A, 16V DC.
- CONTACT RESISTANCE: 30mΩ MAX.
- INSULATION RESISTANCE: 100MΩ MIN AT 500V DC.
- WITHSTAND VOLTAGE: AC 500V/ 1 MINUTE.
- OPERATING TEMPERATURE RANGE: -25°C TO +85°C.
- INSERTION FORCE: 0.3~3.0Kgf.
- EXTRACTION FORCE: 0.3~3.0Kgf.

ITEM	DESCRIPTIONs	MATERIAL	FINISH	Q'TY
⑦	TERMINAL M6	PHOSPHOR BRONZE	Gold Plated	1
⑥	TERMINAL M5	PHOSPHOR BRONZE	Gold Plated	1
⑤	TERMINAL M4	PHOSPHOR BRONZE	Gold Plated	1
④	TERMINAL M3	PHOSPHOR BRONZE	Gold Plated	1
③	TERMINAL M2	PHOSPHOR BRONZE	Gold Plated	1
②	TERMINAL M1	PHOSPHOR BRONZE	Gold Plated	1
①	HOUSING	PA9T		1



TOLERANCE UNLESS OTHERWISE STATED:  
 Up to 5 ±0.2  
 Above 5 ~ 15 ±0.3  
 Above 15 ~ 30 ±0.4  
 Above 30 ~ 50 ±0.5  
 Angle ±0.3°

3RD. ANGEL'S

UNITS MM

DRAWN BY:	DATE	MAT'L	TITLE	JACK
Jack Lu	05/28/21			
CHECKED BY:	DATE	FINISH	MODLE	PHONE JACK
Jacky Chen	05/28/21			
APPROVED BY:	DATE	SCALE	DWG NO.	PJ-5356D-S214
Tony Kao	05/28/21	1 : 1	PART NO.	PJ-5356D-S214
		SHEET NO.	1 of 1	
				SIZE A4
				VER R2

ITEM NO.	DESCRIPTION	DRAWN	DATE
2	更新3.5 MATE PLUG	Jack	052821
1	更新為A0版	Jack	091416