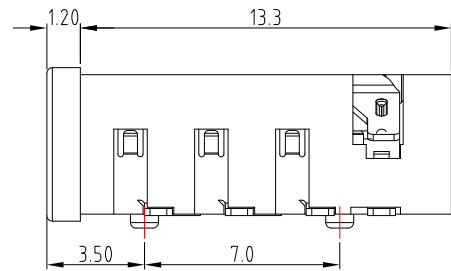
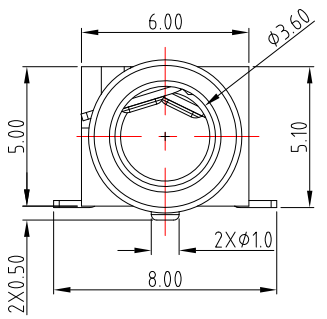
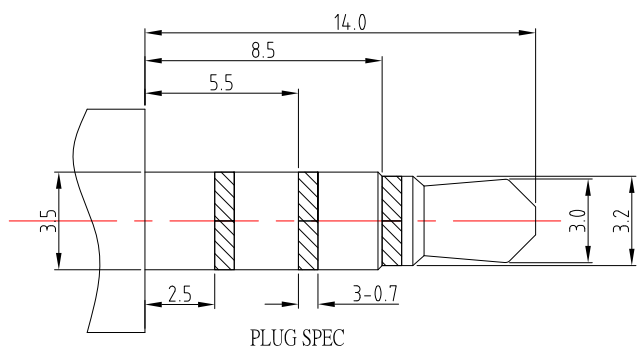


P.C.B LAYOUT
TOP VIEW



NOTES:

1. ELECTRICAL CHARACTERISTICS:
 - 1-1 CONTACT RESISTANCE: 50mΩ MAX. (INITIAL)
100mΩ MAX. (FINAL)
 - 1-2. DIELECTRIC WITHSTANDING VOLTAGE: 500V AC FOR ONE MINUTE.
 - 1-3. INSULATION RESISTANCE: 100MΩ MIN. MEASURED BY 500V DC
2. MECHANICAL CHARACTERISTICS:
 - 2-1. PLUG INSERTION FORCE : 0.3~3.0KGS .
 - 2-2. PLUG WITHDRAWAL FORCE : 0.3~3.0KGS .
3. DURABILITY TEST: 5,000 CYCLES .



Model No.	PJ-3917D-S214
Schematic code	

ITEM	DESCRIPTIONs	MATERIAL	FINISH	Q'TY
④	MYLAR			1
③	CONTACT 2	PHOSPHOR BRONZE	GOLD FLASH	3
②	CONTACT 1	PHOSPHOR BRONZE	GOLD FLASH	4
①	HOUSING	PA9T	BLACK	1

ITEM NO.	DESCRIPTION	DRAWN	DATE
5	更新圖面	Jack	042320
4	更新圖面	Jack	041420
3	更新尺寸	Jack	051618
2	更新料號	Jack	091416
1	新增電路選項	Jack	031016

東莞市高迪電子有限公司
DONG GUAN GAO DI ELECTRONICS CO., LTD

TOLERANCE UNLESS OTHERWISE STATED:
 Up to 5 ±0.2
 Above 5 ~ 15 ±0.3
 Above 15 ~ 30 ±0.4
 Above 30 ~ 50 ±0.5
 Angle ±0.3

3RD. ANGEL'S UNITS MM

DRAWN BY:	DATE	MAT'L	TITLE	JACK
Jack Lu	04/23/20			
CHECKED BY:	DATE	FINISH	MODLE	PHONE JACK
Jacky Chen	04/23/20			
APPROVED BY:	DATE	SCALE	DWG NO.	PJ-3917D-S214
Tony Kao	04/23/20	1 : 1		
		SHEET NO.	PART NO.	SIZE
		1 of 1	PJ-3917D-S214	A4
				VER
				R5