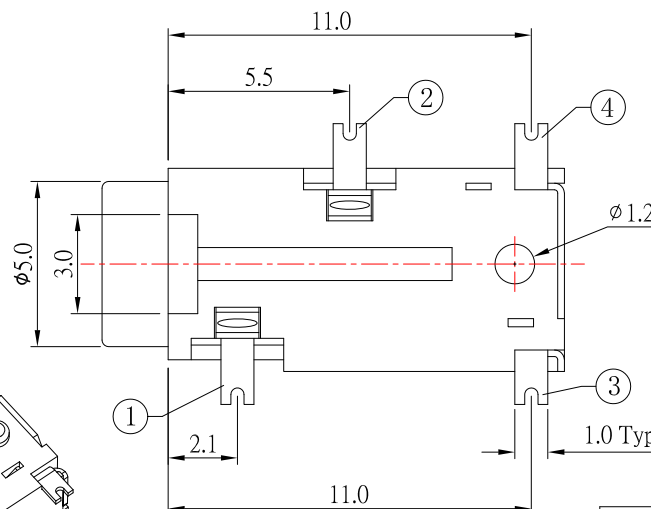
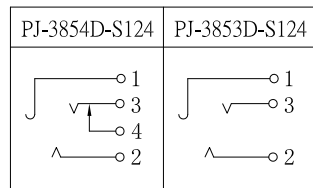


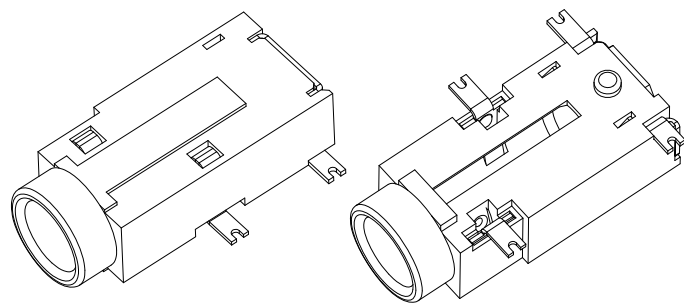
SCHEMATIC



**P.C.B LAYOUT
TOP VIEW**

SPECIFICATION

1. Rating : DC 30V , 0.5A
2. Contact resistance : $\leq 30m\Omega$
3. Insulation resistance : $\geq 100M\Omega$
4. Withstand voltage : 500VAC
5. Insertion and extraction force : 3-20N
6. life test : 5,000 cycles



NO.	DESCRIPTION	QTY	MATERIAL	PLATING
5	HOUSING	1	PA9T	
4	CONTACT FOOT	1	BRASS	Ag-Plating
3	CONTACT FOOT	1	SUS	Ag-Plating
2	CONTACT FOOT	1	PHOSPHOR BRONZE	Ag-Plating
1	SPRING PIECE	1	PHOSPHOR BRONZE	Ag-Plating



TOLERANCE UNLESS OTHERWISE STATED :
 Up to 5 ±0.2
 Above 5 ~ 15 ±0.3
 Above 15 ~ 30 ±0.4
 Above 30 ~ 50 ±0.5
 Angle ±0.3°

3RD. ANGEL'S



UNITS MM

DRAWN BY:	DATE	MAT'L	TITLE	JACK
Jack Lu	01/18/19		MODLE	PHONE JACK
CHECKED BY:	DATE	SCALE	DWG NO.	PJ-385xD-S124
Jacky Chen	01/18/19	1 : 1	PART NO.	PJ-385xD-S124
APPROVED BY:	DATE	SHEET NO.	1 of 1	
Tony Kao	01/18/19			

ITEM NO.	DESCRIPTION	DRAWN	DATE
1	更新材質	Jack	011819