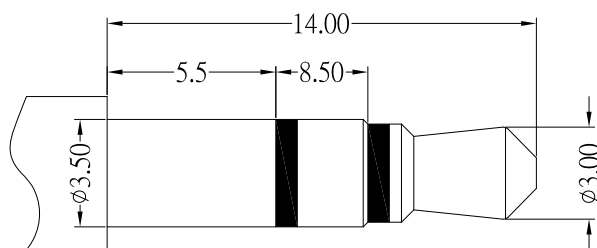
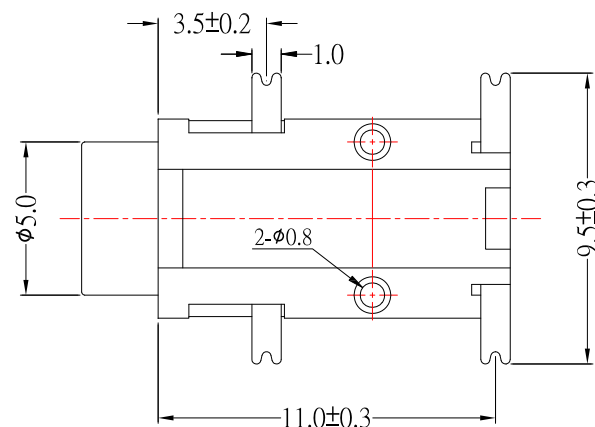


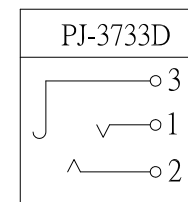
P.C.B LAYOUT  
(TOP VIEW)



Ø3.50mm 3 POLE PLUG

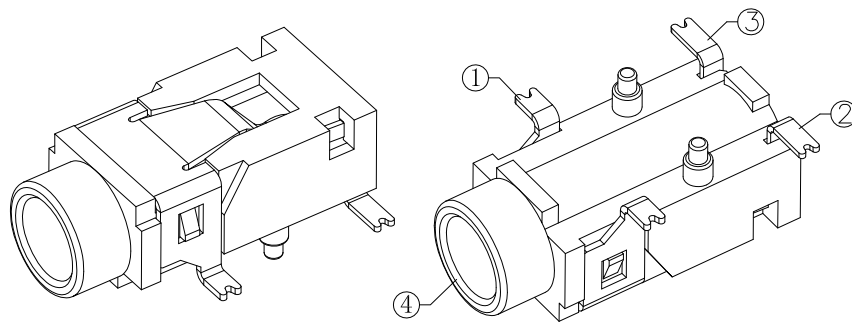


**SCHEMATIC**



**SPECIFICATION**

1. Rating : DC 30V 0.5A ;
2. Contact resistance :  $\leq 30m\Omega$  ;
3. Insulation resistance :  $\geq 100M\Omega$  ;
4. Withstand voltage : 500VAC ;
5. Insertion and extraction force : 3-20N;
6. life test : 5,000 cycles °



④	HOUSING	1	PA9T	
③	CONTACT FOOT #3	1	PHOSPHOR BRONZE	Ag-Plating
②	CONTACT FOOT #2	1	PHOSPHOR BRONZE	Ag-Plating
①	CONTACT FOOT #1	1	BRASS	Ag-Plating
NO.	DESCRIPTION	QTY	MATERIAL	PLATING

東莞市高迪電子有限公司  
DONG GUAN GAO DI ELECTRONICS CO., LTD

TOLERANCE UNLESS OTHERWISE STATED:  
 Up to 5 ±0.2  
 Above 5 ~ 15 ±0.3  
 Above 15 ~ 30 ±0.4  
 Above 30 ~ 50 ±0.5  
 Angle ±0.3°

3RD. ANGEL'S

UNITS MM

DRAWN BY:	DATE	MAT'L	TITLE	JACK
Jack Lu	06/20/17		MODLE	PHONE JACK
CHECKED BY:	DATE	FINISH	SCALE	1 : 1
Jacky Chen	06/20/17		DWG NO.	PJ-3733D-S124
APPROVED BY:	DATE	SHEET NO.	PART NO.	PJ-3733D-S124
Tony Kao	06/20/17	1 of 1		

ITEM NO.	DESCRIPTION	DRAWN	DATE