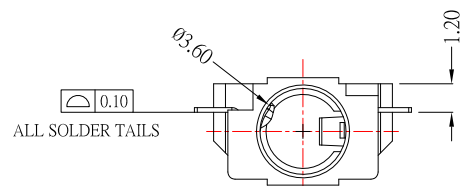
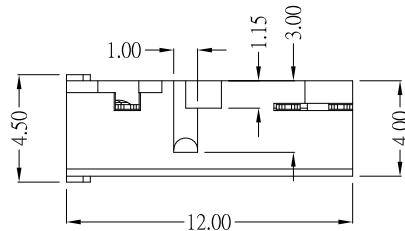


P.C.B LAYOUT
TOP VIEW

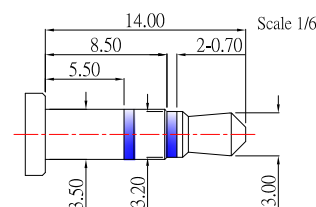
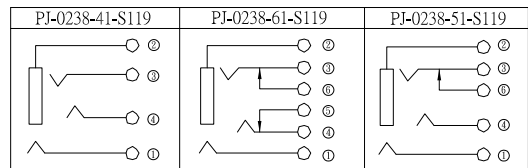


SCHEMATIC

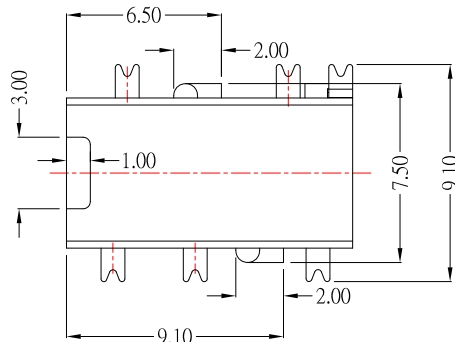


SPECIFICATIONS:

1. CONTACT CURRENT RATING: 0.5A.
2. CONTACT RESISTANCE: 50 mΩ MAX.;
3. INSULATION RESISTANCE: 100MΩ MIN.;
4. DIELECTRIC WITHSTANDING: 500V AC MIN.;
5. CONNECTOR MATING FORCES: 29.4N (3.00Kgf) MAX.;
6. CONNECTOR UNMATING FORCES: 2.94N(0.30Kgf) MIN.



(ø3.50 3 POLE PLUG DETAIL DRAWING)



ITEM	PART NAME	QTY	MATERTAL	REMARK
⑦	HOUSING	1	HIGHT TEMPERATURE PLASTIC	
⑥	CONTACT F1	1	BRASS	
⑤	CONTACT E1	1	BRASS	
④	CONTACT D1	1	BeCu	
③	CONTACT C1	1	BeCu	
②	CONTACT C1	1	BeCu	
①	CONTACT B	1	PHOSPHOR BRONZE	
MAT'L			TITLE	JACK
FINISH			MODLE	PHONE JACK
SCALE	1 : 1	DWG NO.	PJ-0238-xx-S119	SIZE A4
SHEET NO.	1 of 1	PART NO.	PJ-0238-xx-S119	VER A1

東莞市高迪電子有限公司
DONG GUAN GAO DI ELECTRONICS CO., LTD

TOLERANCE UNLESS OTHERWISE STATED:
 Up to 5 ±0.2
 Above 5 ~ 15 ±0.3
 Above 15 ~ 30 ±0.4
 Above 30 ~ 50 ±0.5
 Angle ±0.3°

3RD. ANGEL'S

UNITS MM

DRAWN BY: Jack Lu
 CHECKED BY: Jacky Chen
 APPROVED BY: Tony Kao

DATE: 12/23/14
 DATE: 12/23/14
 DATE: 12/23/14

ITEM NO.	DESCRIPTION	DRAWN	DATE
2	更新料號選項	Jack	122314
1	更新為A0版	Jack	010914