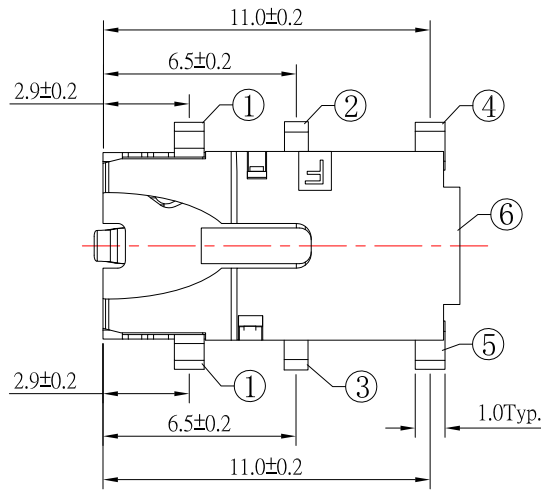
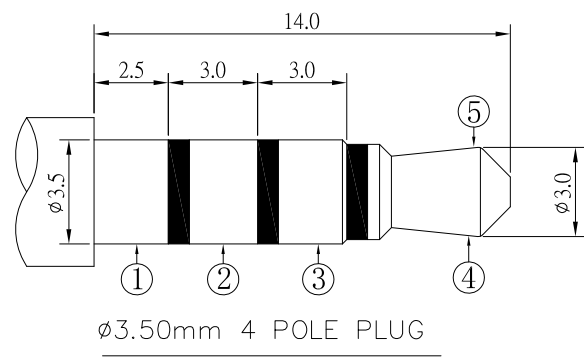
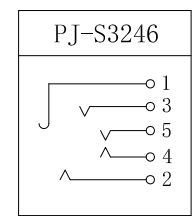


P.C.B LAYOUT  
TOP VIEW



**SCHEMATIC**



**SPECIFICATION**

1. Rating : DC 30V, 1.0A
2. Contact resistance : ≤ 30mΩ
3. Insulation resistance : ≥ 100MΩ
4. Withstand voltage : 500VAC
5. Insertion and extraction force : 3-30N
6. life test : 5,000 cycles

NO.	DESCRIPTION	QTY	MATERIAL	PLATING
6	HOUSING	1	PA9T	
5	5# CONTACT FOOT	1	SUS	Au-Plating
4	4# CONTACT FOOT	1	SUS	Au-Plating
3	3# CONTACT FOOT	1	PHOSPHOR BRONZE	Au-Plating
2	2# CONTACT FOOT	1	PHOSPHOR BRONZE	Au-Plating
1	1# CONTACT FOOT	1	SUS	Au-Plating



TOLERANCE UNLESS OTHERWISE STATED:  
 Up to 5 ±0.2  
 Above 5 ~ 15 ±0.3  
 Above 15 ~ 30 ±0.4  
 Above 30 ~ 50 ±0.5  
 Angle ±0.3

3RD. ANGEL'S

UNITS MM

DRAWN BY:	DATE	MAT'L	TITLE	JACK
Jack Lu	11/03/23			
CHECKED BY:	DATE	FINISH	MODLE	PHONE JACK
Jacky Chen	11/03/23			
APPROVED BY:	DATE	SCALE	DWG NO.	PJ-S3246-S124
Tony Kao	11/03/23	1 : 1		
SHEET NO.	1 of 1	PART NO.	PJ-S3246-S124	
				SIZE A4
				VER R1

ITEM NO.	DESCRIPTION	DRAWN	DATE
1	新增 P.C.B LAYOUT 尺寸	Jack	110323