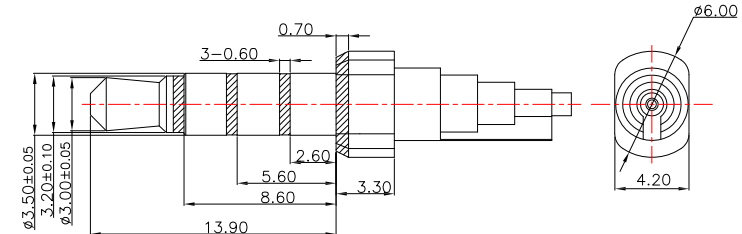
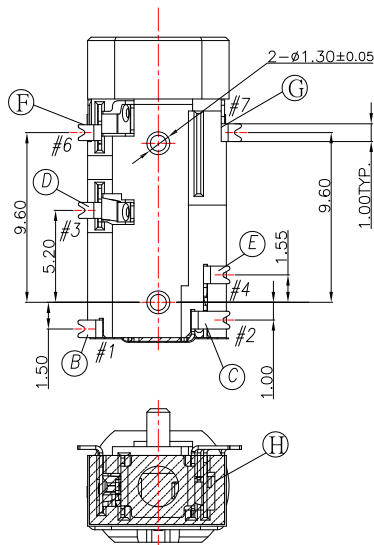


P.C.B LAYOUT MOUNTING PATTERN (TOP VIEW)



ø3.5 5POLE PLUG

MODEL NO.	PJ-S53070-S214
SCHMATIC	



**SPECIFICATION**

- 1.Rating : DC 12V , 1.0A ;
- 2.Contact resistance : ≤ 50mΩ ;
- 3.Insulation resistance : ≥ 100MΩ ;
- 4.Withstand voltage : 500VAC ;
- 5.Insertion and extraction force : 3-30N
- 6.life test : 5,000 cycles .

NO	DESCRIPTION	QTY	MATERIAL	PLATING & COLOR
H	MYLAR	1		YELLOW
G	EARTH	1	COPPER ALLOY	GOLD FLASH ON CONTACT AREA; MATTE Sn ON SOLDER AREA; ALL OVER Ni PLATING.
F	RING-B-L	1	COPPER ALLOY	GOLD FLASH ON CONTACT AREA; GOLD FLASH ON SOLDER TAIL AREA, ALL OVER Ni PLATING.
E	RING-B-R	1	COPPER ALLOY	
D	RING-A	1	COPPER ALLOY	
C	SHUNT-A	1	COPPER ALLOY	
B	TIP	1	COPPER ALLOY	
A	BODY	1	HIGH TEMP.THERMOPLASTIC	BLACK



TOLERANCE UNLESS OTHERWISE STATED: Up to 5 ±0.2, Above 5 - 15 ±0.3, Above 15 - 30 ±0.4, Above 30 - 50 ±0.5, Angle ±0.3

3RD. ANGEL'S

UNITS MM

DRAWN BY:	DATE	MAT'L	TITLE	JACK
Jack Lu	07/29/20			
CHECKED BY:	DATE	FINISH	MODLE	3.5 PHONE JACK 5 段式
Jacky Chen	07/29/20			
APPROVED BY:	DATE	SCALE	DWG NO.	PJ-S53070-S214
Tony Kao	07/29/20	1 : 1		
		SHEET NO.	PART NO.	PJ-S53070-S214
		1 of 1		

ITEM NO.	DESCRIPTION	DRAWN	DATE