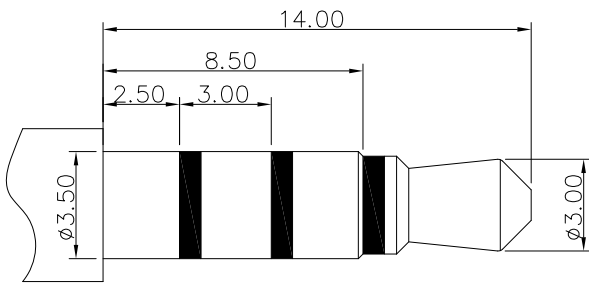
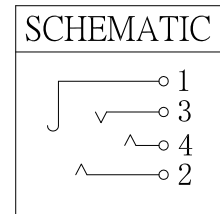
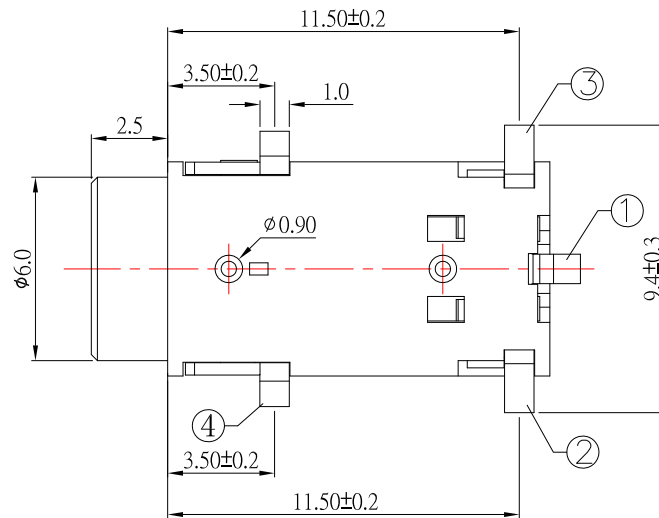


P.C.B LAYOUT
TOP VIEW

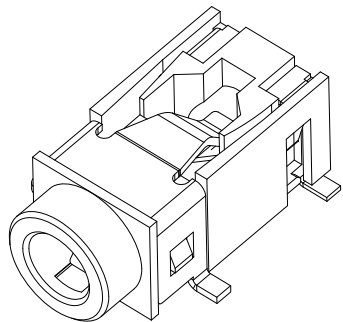


ø3.50mm 4 POLE PLUG



SPECIFICATIONS

- 1.Rating : DC 30V 0.5A
- 2.Contact resistance : $\leq 30m\Omega$
- 3.Insulation resistance : $\geq 100M\Omega$
- 4.Withstand voltage : 500VAC
- 5.Insertion and extraction force : 3-20N
- 6.life test : 5,000 cycles



5	HOUSING	1	PA9T	
4	4# CONTACT FOOT	1	PHOSPHOR BRONZE	Ag-Plating
3	3#CONTACT FOOT	1	PHOSPHOR BRONZE	Ag-Plating
2	2# CONTACT FOOT	1	PHOSPHOR BRONZE	Ag-Plating
1	1# CONTACT FOOT	1	PHOSPHOR BRONZE	Ag-Plating
NO.	DESCRIPTION	QTY	MATERIAL	PLATING

東莞市高迪電子有限公司
DONG GUAN GAO DI ELECTRONICS CO., LTD

TOLERANCE UNLESS OTHERWISE STATED:
 Up to 5 ±0.2
 Above 5 ~ 15 ±0.3
 Above 15 ~ 30 ±0.4
 Above 30 ~ 50 ±0.5
 Angle ±0.3

3RD. ANGEL'S

UNITS MM

DRAWN BY:	DATE	MAT'L	TITLE	JACK
Jack Lu	03/29/19			
CHECKED BY:	DATE	FINISH	MODLE	PHONE JACK
Jacky Chen	03/29/19			
APPROVED BY:	DATE	SCALE	DWG NO.	PJ-S3022-S124
Tony Kao	03/29/19	1 : 1		
		SHEET NO.	PART NO.	PJ-S3022-S124
		1 of 1		
				SIZE A4
				VER R1

1	更新樣式及尺寸	Jack	032919
ITEM NO.	DESCRIPTION	DRAWN	DATE