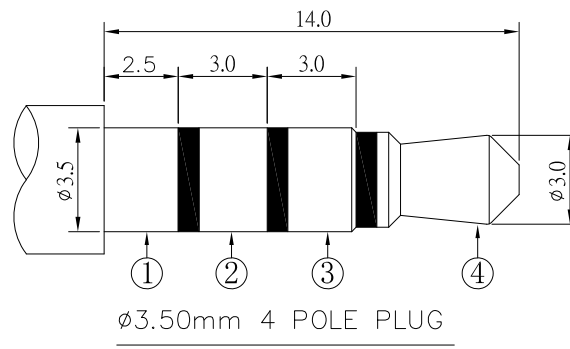
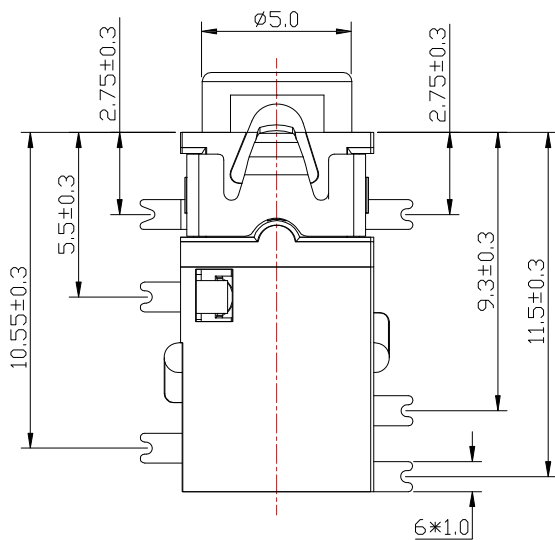
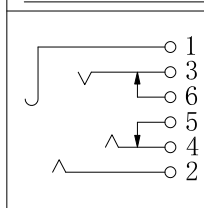


P.C.B LAYOUT
TOP VIEW



SCHEMATIC



SPECIFICATION

- 1. Rating : DC 30V, 1.0A ;
- 2. Contact resistance : ≤ 30mΩ ;
- 3. Insulation resistance : ≥ 100MΩ ;
- 4. Withstand voltage : 500VAC ;
- 5. Insertion and extraction force : 3-30N;
- 6. life test : 5,000 cycles .

NO.	DESCRIPTION	QTY	MATERIAL	PLATING
⑦	HOUSING	1	PA9T	
⑥	6# CONTACT FOOT	1	PHOSPHOR BRONZE	Au Plated over Ni
⑤	5# CONTACT FOOT	1	PHOSPHOR BRONZE	Au Plated over Ni
④	4# CONTACT FOOT	1	PHOSPHOR BRONZE	Au Plated over Ni
③	3# CONTACT FOOT	1	PHOSPHOR BRONZE	Au Plated over Ni
②	2# CONTACT FOOT	1	PHOSPHOR BRONZE	Au Plated over Ni
①	1# CONTACT FOOT	1	PHOSPHOR BRONZE	Au Plated over Ni

ITEM NO.	DESCRIPTION	DRAWN	DATE
8	更新圖面	Jack	090224
7	更新圖面	Jack	072123
6	更新電路選項	Jack	042922
5	新增PLUG標號	Jack	052819
4	更新圖面	Jack	052419



TOLERANCE UNLESS OTHERWISE STATED :

Up to 5	±0.2	3RD. ANGEL'S	UNITS	MM
Above 5 ~ 15	±0.3			
Above 15 ~ 30	±0.4			
Above 30 ~ 50	±0.5			

Angle ±0.3

DRAWN BY:	DATE	MAT'L	TITLE	JACK
Jack Lu	09/02/24		MODLE	PHONE JACK
CHECKED BY:	DATE	FINISH	SCALE	DWG NO.
Jacky Chen	09/02/24		1 : 1	PJ-S3118-S124
APPROVED BY:	DATE	SHEET NO.	PART NO.	SIZE
Tony Kao	09/02/24	1 of 1	PJ-S3118-S124	A4
				VER
				R8