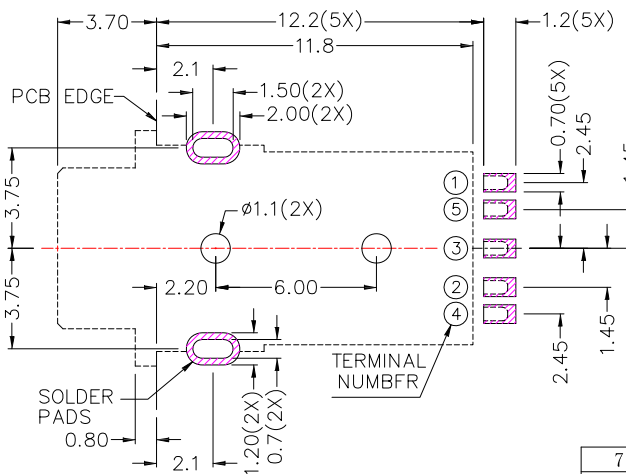
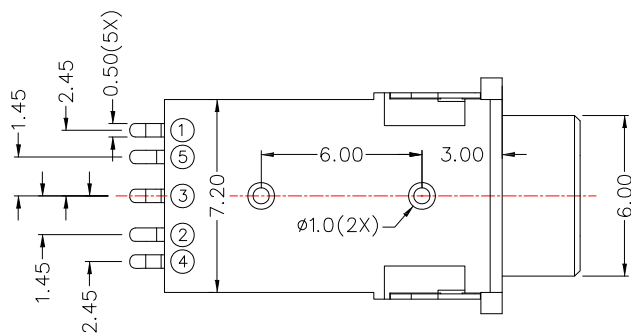


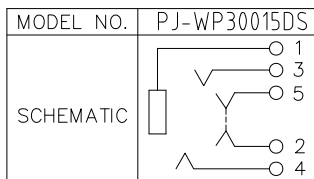
A DETAIL COPLANARITY



RECOMMENDED SOLDER PAD LAYOUT (TOP VIEW)

SPECIFICATION

1. Rating : DC 12V 1.0A
2. Contact resistance : $\leq 50m\Omega$
3. Insulation resistance : $\geq 100M\Omega$
4. Withstand voltage : 500VAC
5. Insertion and extraction force : 3-30N
6. Life test : 5,000 cycles
7. Waterproof Level: IPX7



NO.	DESCRIPTION	QTY	MATERIAL	PLATING
7	HOUSING	1	PA10T	
6	SHIELD	1	BRASS	Ni-Plating
5	5# CONTACT FOOT	1	PHOSPHOR BRONZE	Au-Plating
4	4# CONTACT FOOT	1	PHOSPHOR BRONZE	Au-Plating
3	3# CONTACT FOOT	1	PHOSPHOR BRONZE	Au-Plating
2	2# CONTACT FOOT	1	PHOSPHOR BRONZE	Au-Plating
1	1# CONTACT FOOT	1	PHOSPHOR BRONZE	Au-Plating

ITEM NO.	DESCRIPTION	DRAWN	DATE
4	更新材質表	Jack	082421
3	更新材質表	Jack	122520
2	更新材質	Jack	030717
1	新增SPEC	Jack	010816



TOLERANCE UNLESS OTHERWISE STATED:

Up to 5 ±0.2
Above 5 ~ 15 ±0.3
Above 15 ~ 30 ±0.4
Above 30 ~ 50 ±0.5
Angle ±0.3°

3RD. ANGEL'S



UNITS MM

DRAWN BY:	DATE
Jack Lu	08/24/21
CHECKED BY:	DATE
Jacky Chen	08/24/21
APPROVED BY:	DATE
Tony Kao	08/24/21

MAT'L	TITLE	JACK
FINISH	MODLE	3.5mm PHONE JACK 防水型
SCALE	1 : 1	DWG NO. PJ-WP30015DS
SHEET NO.	1 of 1	PART NO. PJ-WP30015DS

SIZE A4
VER R4