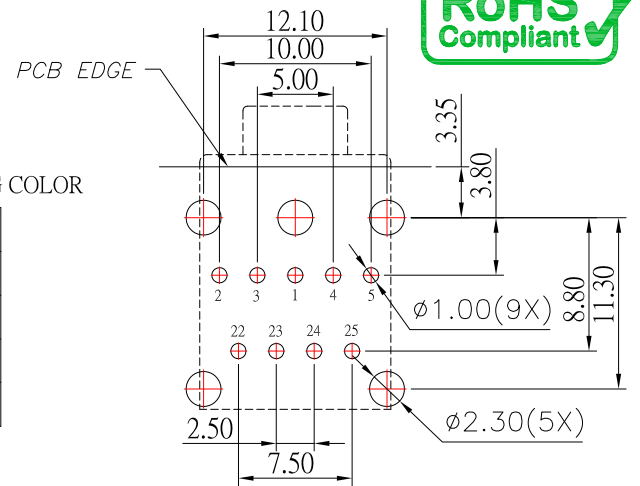


PJ-D343A-xx-S214

PLASTIC BUSHING COLOR

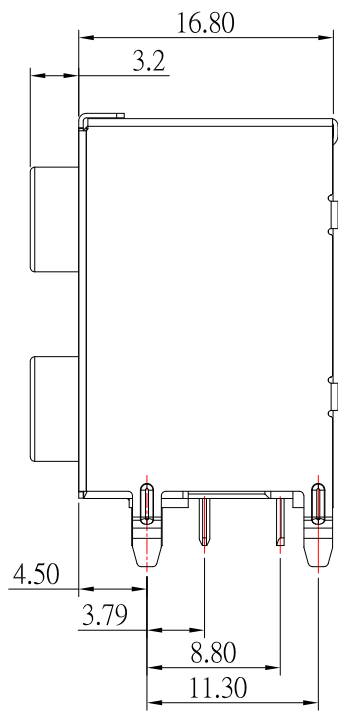
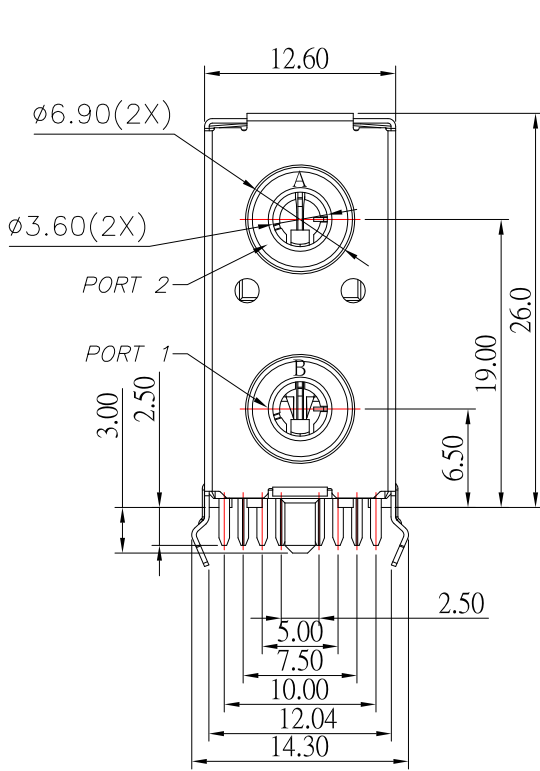
A	B
Blank	Black
P	Pink
B	Blue
G	Green



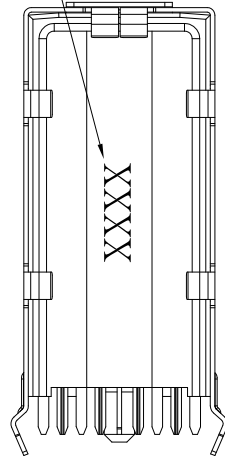
P.C.B LAYOUT

NOTE:

- MATERIAL SPECIFICATION:
  - 1-1.PLASTIC BUSHING:PA66
  - 1-2.HOUSING:PA9T;COLOR:BLACK
  - 1-3.COVER:LCP;COLOR:BLACK,
  - 1-4.SHIELD:STAINLESS STEEL;
  - 1-5.2-TIP TERMINAL&TIP TERMINAL: BRASS
  - 1-6.2-TS TERMINAL&TS TERMINAL: BRASS
  - 1-7.2-RS TERMINAL&RS TERMINAL: BRASS
  - 1-8.2-RING TERMINAL&RING TERMINAL: BRASS
  - 1-9.SLEEVE TERMINAL: BRASS
- PLATING SPECIFICATION:
  - 2-1.CONTACTS:
    - Ni UNDER PLATED OVER ALL.
    - Au PLATED ON THE FUNCTIONAL AREA OF CONTACT.
    - TIN PLATED ON SOLDER AREA.
  - 2-2.SHIELD:TIN PLATED ON SOLDER AREA.
- MECHANICAL PERFORMANCE,
  - 3-1.INSERTION FORCE: 3.0kgf MAX
  - 3-2.REMOVAL FORCE: 0.3kgf MIN
  - 3-3.DURABILITY: 1500 CYCLES.
- ELECTRICAL PERFORMANCE,
  - 4-1.INSULATION RESISTANCE: 100MΩ MIN
  - 4-2.DIELECTRIC WITHSTAND VOLTAGE: AC 500V



DATE CODE



**東莞市高迪電子有限公司**  
DONG GUAN GAO DI ELECTRONICS CO., LTD

TOLERANCE UNLESS OTHERWISE STATED:  
Up to 5 ±0.2  
Above 5 ~ 15 ±0.3  
Above 15 ~ 30 ±0.4  
Above 30 ~ 50 ±0.5  
Angle ±0.3

3RD. ANGEL'S



UNITS

MM

DRAWN BY: Jack Lu  
CHECKED BY: Jacky Chen  
APPROVED BY: Tony Kao

DATE: 06/18/20  
DATE: 06/18/20  
DATE: 06/18/20

MAT'L  
FINISH  
SCALE: 1 : 1  
SHEET NO. 1 of 1

TITLE: JACK  
MODLE: PHONE JACK  
DWG NO.: PJ-D343A-xx-S214  
PART NO.: PJ-D343A-xx-S214

SIZE: A4  
VER: R2

ITEM NO.	DESCRIPTION	DRAWN	DATE
2	更新選項代號	Jack	061820
1	新增顏色選項料號	Jack	052220