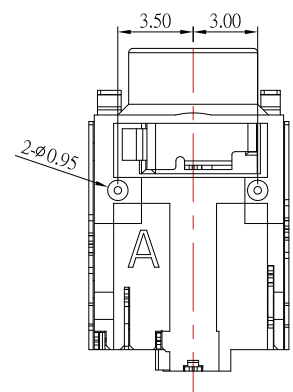
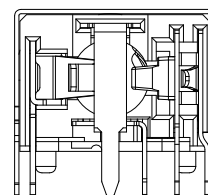
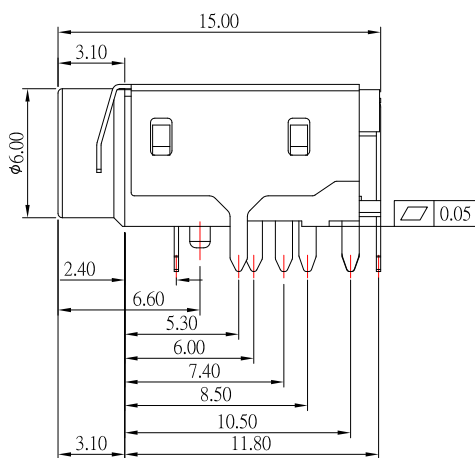
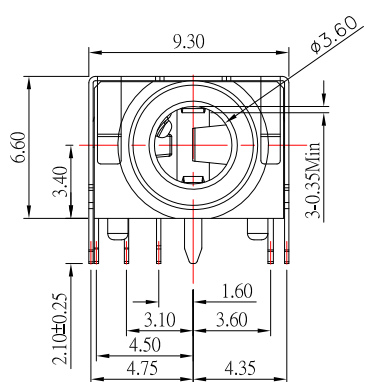


P.C.B LAYOUT
TOP VIEW



SPECIFICATION

1. Rating : DC 30V, 0.5A
2. Contact resistance : $\leq 30m\Omega$
3. Insulation resistance : $\geq 100M\Omega$
4. Withstand voltage : 500VAC
5. Insertion and extraction force : 3-30N
6. life test : 5,000 cycles

NO.	DESCRIPTION	QTY	MATERIAL	PLATING
9	HOUSING	1	PA9T	Black
8	INSULATOR	1	PA9T	Black
7	SHELL	1	SUS	NI-Plating, Solder for Terminal Su
6	TERMINAL-6	1	COPPER ALLOY	Matte Sn-Plating
5	TERMINAL-5	1	COPPER ALLOY	Matte Sn-Plating
4	TERMINAL-4	1	COPPER ALLOY	Matte Sn-Plating
3	TERMINAL-3	1	COPPER ALLOY	Matte Sn-Plating
2	TERMINAL-2	1	COPPER ALLOY	Matte Sn-Plating
1	TERMINAL-1	1	COPPER ALLOY	Matte Sn-Plating

東莞市高迪電子有限公司
DONG GUAN GAO DI ELECTRONICS CO., LTD

TOLERANCE UNLESS OTHERWISE STATED:
Up to 5 ±0.2
Above 5 ~ 15 ±0.3
Above 15 ~ 30 ±0.4
Above 30 ~ 50 ±0.5
Angle ±0.3

3RD. ANGEL'S

UNITS MM

DRAWN BY:	DATE	MAT'L	TITLE	JACK
Jack Lu	02/21/20			
CHECKED BY:	DATE	FINISH	MODLE	3.5 PHONE JACK
Jacky Chen	02/21/20			
APPROVED BY:	DATE	SCALE	DWG NO.	PJ-D3035C-S214
Tony Kao	02/21/20	1 : 1		
		SHEET NO.	PART NO.	PJ-D3035C-S214
		1 of 1		
				SIZE A4
				VER R

ITEM NO.	DESCRIPTION	DRAWN	DATE