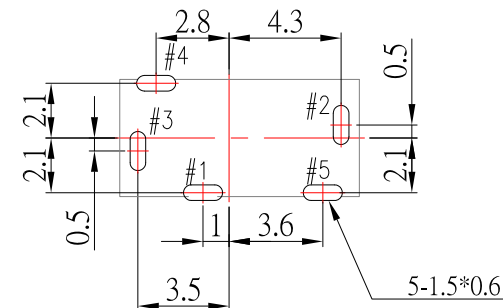
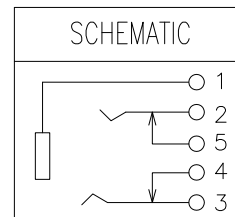
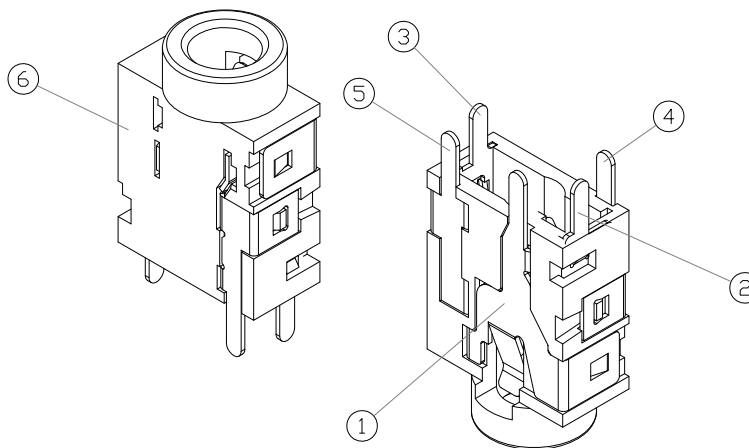
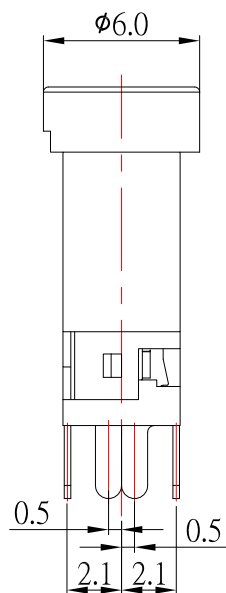
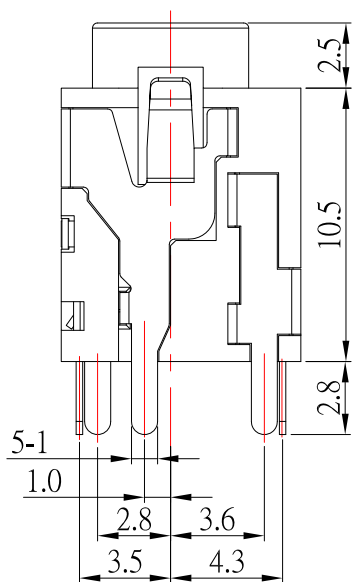


□3.5 MATE PLUG



P.C.B LAYOUT
TOP VIEW



Notes:

1. Electrical Characteristics:
 - 1-1. Rating : DC 30V, 0.5 A ;
 - 1-2. Contact Resistance: 50mΩ Max.(Initial),
100mΩ Max.(Final) After test: ≤50mΩ ;
 - 1-3. Dielectric Withstanding Voltage: 500V AC for One Minute ;
 - 1-4. Insulation Resistance: 100MΩ Min. Measured By 500 VDC
2. Mechanical Characteristics:
 - 2-1. Plug Insertion Force 0.3~3.0Kgf (initial),
0.3~3.0Kgf (Final) life test;
 - 2-2. Plug Extraction Force: 0.3~3.0Kgf (initial),
0.3~3.0Kgf (Final) life test;
3. Durability Test: 5,000 Cycles min;
4. Operating temperature: -25°C ~ +70°C;

⑥	HOUSING	1	PA66	BLACK
⑤	TERMINAL 5#	1	C2680	MB:Ni Ag PLATED
④	TERMINAL 4#	1	C2680	MB:Ni Ag PLATED
③	TERMINAL 3#	1	C5191	MB:Ni Ag PLATED
②	TERMINAL 2#	1	C5191	MB:Ni Ag PLATED
①	TERMINAL 1#	1	C5191	MB:Ni Ag PLATED
LTR	PART NAME	QTY	MATERIAL	REMARK

東莞市高迪電子有限公司
DONG GUAN GAO DI ELECTRONICS CO., LTD

TOLERANCE UNLESS OTHERWISE STATED:
 Up to 5 ±0.2
 Above 5 ~ 15 ±0.3
 Above 15 ~ 30 ±0.4
 Above 30 ~ 50 ±0.5
 Angle ±0.3

3RD. ANGEL'S



UNITS

MM

DRAWN BY: DATE

Jack Lu 12/28/18

CHECKED BY: DATE

Jacky Chen 12/28/18

APPROVED BY: DATE

Tony Kao 12/28/18

MAT'L

FINISH

SCALE

SHEET NO.

TITLE

MODLE

DWG NO.

PART NO.

JACK

PHONE JACK

PJ-3935-S214

PJ-3935-S214

SIZE

A4

VER

R1

ITEM NO.	DESCRIPTION	DRAWN	DATE
1	更新圖面	Jack	122818