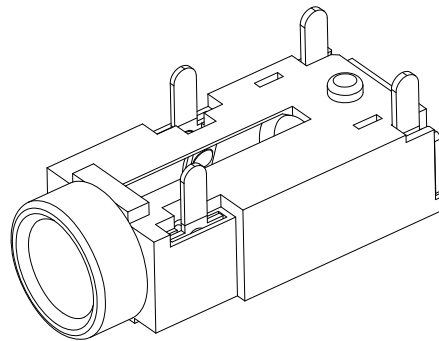
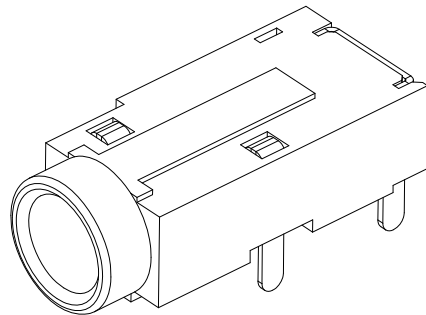
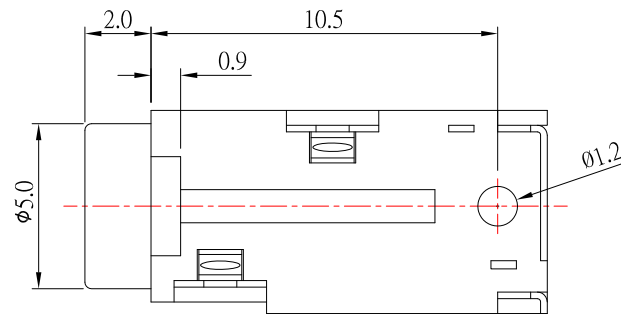


SCHEMATIC

PJ-3854-S125	PJ-3853-S125



SPECIFICATION

- 1.Rating : DC 30V 0.5A ;
- 2.Contact resistance : $\leq 30m\Omega$;
- 3.Insulation resistance : $\geq 100M\Omega$ (DC250V) ;
- 4.Withstand voltage : 500VAC ;
- 5.Insertion and extraction force : 3-20N
- 6.life test : 5,000 cycles °



TOLERANCE UNLESS OTHERWISE STATED:
 Up to 5 ±0.2
 Above 5 ~ 15 ±0.3
 Above 15 ~ 30 ±0.4
 Above 30 ~ 50 ±0.5
 Angle ±0.3

3RD. ANGEL'S



UNITS

MM

DRAWN BY:	DATE	MAT'L	TITLE	JACK
Frank Wu	11/28/11		MODLE	PHONE JACK
CHECKED BY:	DATE	FINISH	SCALE	1 : 1
Jacky Chen	11/28/11		DWG NO.	PJ-385x-S125
APPROVED BY:	DATE	SHEET NO.	PART NO.	PJ-385x-S125
Tony Kao	11/28/11	1 of 1		

ITEM NO.	DESCRIPTION	DRAWN	DATE