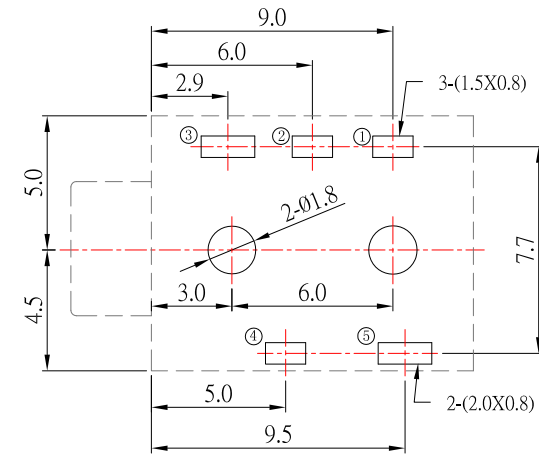




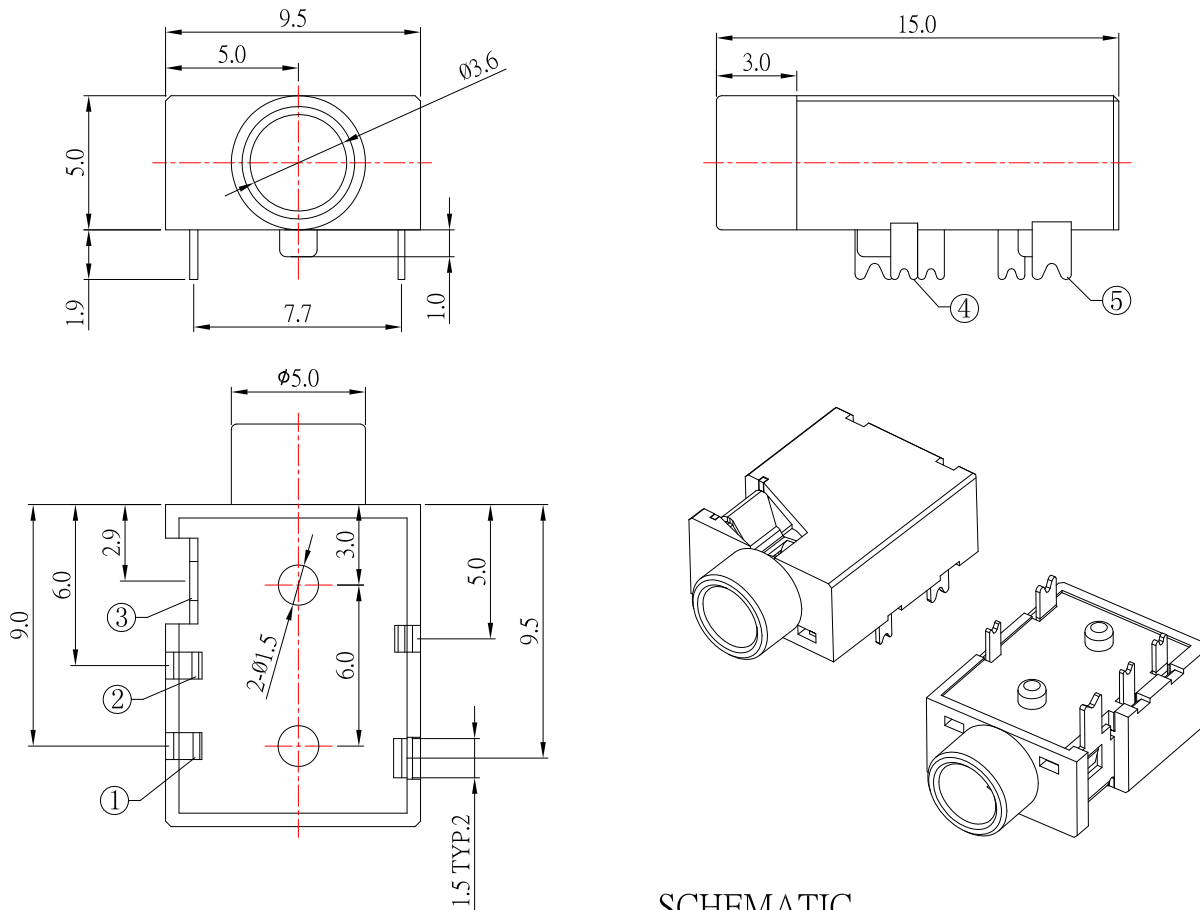
P.C.B LAYOUT  
TOP VIEW



SPECIFICATION

1. Rating : DC 30V 0.5A ;
2. Contact resistance :  $\leq 0.05 \Omega$  ;
3. Insulation resistance :  $\geq 100M\Omega$  (DC250V) ;
4. Withstand voltage : 500VAC ;
5. Insertion and extraction force : 3-20N;
6. life test : 5,000 cycles °

SCHMATIC



PJ-3675-S125	PJ-3674B-S125	PJ-3674A-S125	PJ-3673-S125	PJ-3673A-S125



TOLERANCE UNLESS OTHERWISE STATED :  
 Up to 5 ±0.2  
 Above 5 ~ 15 ±0.3  
 Above 15 ~ 30 ±0.4  
 Above 30 ~ 50 ±0.5  
 Angle ±0.3

3RD. ANGEL'S



UNITS MM

DRAWN BY:	DATE	MAT'L	TITLE	JACK
Jack Lu	04/23/13		MODLE	PHONE JACK
CHECKED BY:	DATE	FINISH	DWG NO.	PJ-367x-S125
Jacky Chen	04/23/13	SCALE 1 : 1	PART NO.	PJ-367x-S125
APPROVED BY:	DATE	SHEET NO.	1 of 1	
Tony Kao	04/23/13			

ITEM NO.	DESCRIPTION	DRAWN	DATE