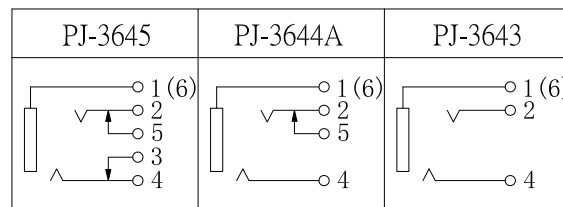


PJ-364x-x-S124

COLOR
Black: Blank
PINK : PI
Green : GR
Blue : BL

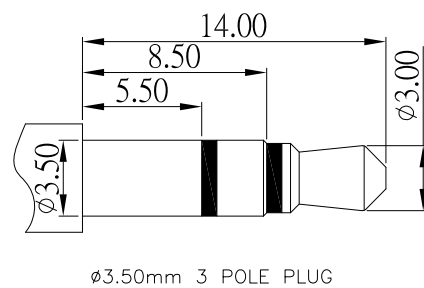
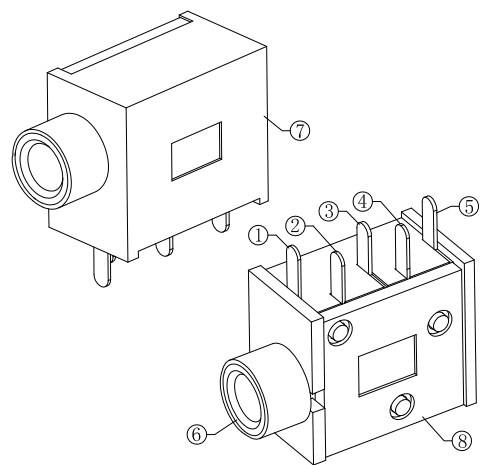
P.C.B LAYOUT
TOP VIEW

SCHMATIC



SPECIFICATION

- Rating : DC 30V 0.5A ;
- Contact resistance : $\leq 0.03 \Omega$;
- Insulation resistance : $\geq 100M \Omega$;
- Withstand voltage : 500VAC ;
- Insertion and extraction force : 3-30N;
- life test : 5,000 cycles °



8	COVER	1	PBT	
7	HOUSING	1	PBT	
6	AXIS SUPPORT	1	BRASS	Ni-Plating
5	CURVE PIECE	1	BRASS	Sn-Plating
4	SPRING PIECE	1	PHOSPHOR BRONZE	Sn-Plating
3	CURVE PIECE	1	BRASS	Sn-Plating
2	SPRING PIECE	1	PHOSPHOR BRONZE	Sn-Plating
1	FLAT PIECE	1	BRASS	Sn-Plating
NO.	DESCRIPTION	QTY	MATERIAL	PLATING

東莞市高迪電子有限公司
DONG GUAN GAO DI ELECTRONICS CO., LTD

TOLERANCE UNLESS OTHERWISE STATED:
 Up to 5 ±0.2
 Above 5 ~ 15 ±0.3
 Above 15 ~ 30 ±0.4
 Above 30 ~ 50 ±0.5
 Angle ±0.3°

3RD. ANGEL'S

UNITS MM

DRAWN BY:	DATE	MAT'L	TITLE	JACK
Jack Lu	10/31/23			
CHECKED BY:	DATE	FINISH	MODLE	PHONE JACK
Jacky Chen	10/31/23			
APPROVED BY:	DATE	SCALE	DWG NO.	PJ-364x-x-S124
Tony Kao	10/31/23	1 : 1		
		SHEET NO.	PART NO.	PJ-364x-x-S124
		1 of 1		

1	更新plug尺寸	Jack	103123
ITEM NO.	DESCRIPTION	DRAWN	DATE