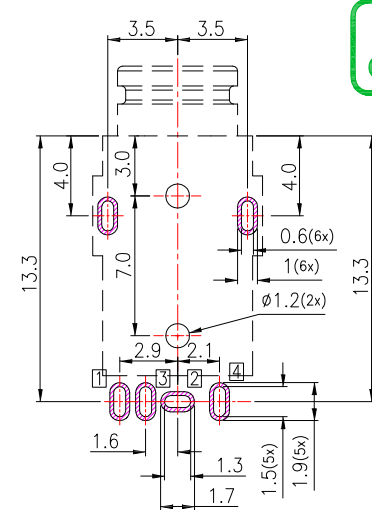
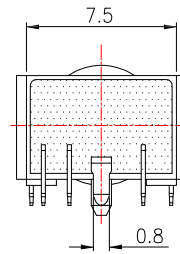
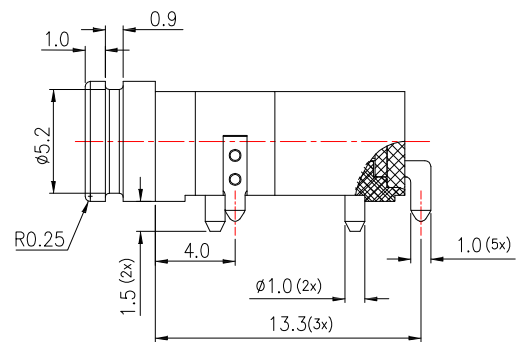
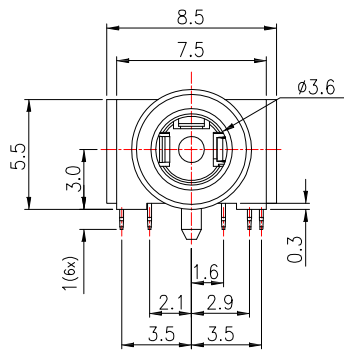


□ : TERMINAL NO.

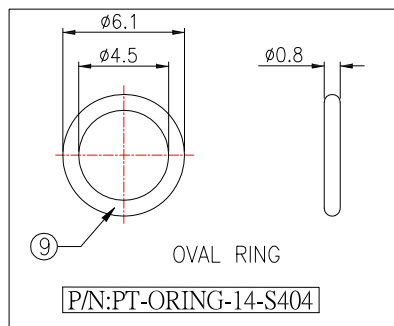
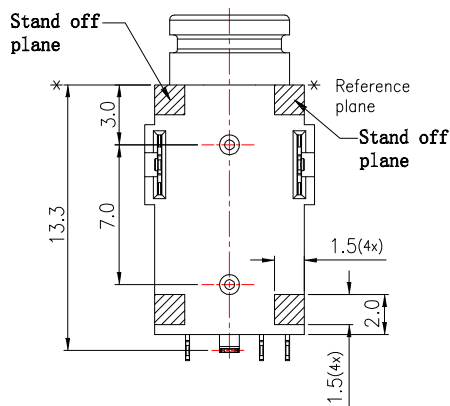


Recommended PCB Layout (Top view)



SPECIFICATION

1. Rating : 12V , 1.0A
1. Contact resistance :  $\leq 30m\Omega$
2. Insulation resistance :  $\geq 100M\Omega$
3. Withstand voltage : 500VAC
5. Insertion and extraction force : 3-30N
6. Life test : 5,000 cycles
7. Waterproof Level: IPx7



ITEM	PART NAME	TERMINAL	QTY	MATERIAL	REMARK
⑨	OVAL RING	----	1	SILICONE	GREEN
⑧	BOND	----	1	EPOXY	----
⑦	TERMINAL	----	2	C2680	Matte Sn ; Ni underplc
⑥	TIP SPRING-2	④	1	C5210	
⑤	RING SPRING	③	1	C5210	
④	TIP SPRING-1	②	1	C5210	
③	EARTH SPRING	①	1	C5210	
②	COVER	----	1	PA9T	
①	HOUSING	----	1	PA9T	
ITEM	PART NAME	TERMINAL	QTY	MATERIAL	REMARK

**東莞市高迪電子有限公司**  
DONG GUAN GAO DI ELECTRONICS CO., LTD

TOLERANCE UNLESS OTHERWISE STATED :  
 Up to 5 ±0.2  
 Above 5 ~ 15 ±0.3  
 Above 15 ~ 30 ±0.4  
 Above 30 ~ 50 ±0.5  
 Angle ±0.3

3RD. ANGEL'S

UNITS MM

DRAWN BY:	DATE	MAT'L	TITLE	JACK
Jack Lu	08/03/20			
CHECKED BY:	DATE	FINISH	MODLE	3.5mm PHONE JACK 防水型
Jacky Chen	08/03/20			
APPROVED BY:	DATE	SCALE	DWG NO.	PJ-WP35434C-S404
Tony Kao	08/03/20	1 : 1		
		SHEET NO.	PART NO.	PJ-WP35434C-S404
		1 of 1		

ITEM NO.	DESCRIPTION	DRAWN	DATE
1	新增搭配O-RING料號	Jack	080320