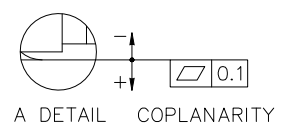
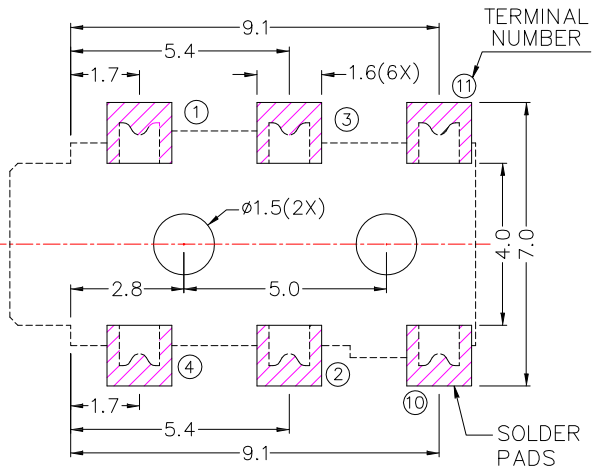
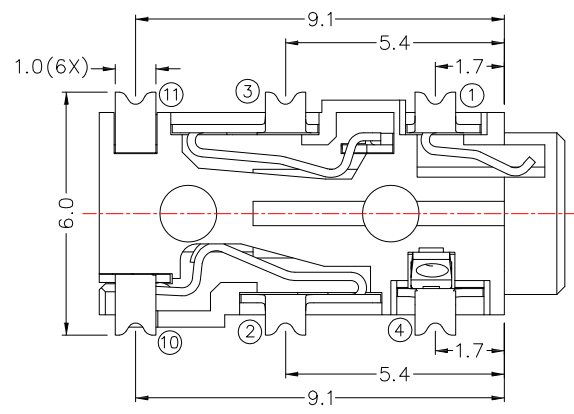


MODEL NO.	PJ-2966DT1	PJ-2965ADT1	PJ-2965BDT1	PJ-2964DT1
SCHMATIC				



**\* MATERIAL**

- TERMINAL 1 : PHOSPHOR BRONZE
- TERMINAL 2 : PHOSPHOR BRONZE
- TERMINAL 3 : PHOSPHOR BRONZE
- TERMINAL 4 : PHOSPHOR BRONZE
- TERMINAL 10: PHOSPHOR BRONZE
- TERMINAL 11: PHOSPHOR BRONZE
- HOUSING : PA6T
- TAPE : POLYMIDE



RECOMMENDED SOLDER PAD LAYOUT

**SPECIFICATION**

1. Rating : DC 12V 1.0A
2. Contact resistance :  $\leq 50m\Omega$
3. Insulation resistance :  $\geq 100M\Omega$  (DC500V)
4. Withstand voltage : 500VAC
5. Insertion and extraction force : 3-30N
6. life test : 5,000 cycles



TOLERANCE UNLESS OTHERWISE STATED :  
 Up to 5 ±0.2  
 Above 5 ~ 15 ±0.3  
 Above 15 ~ 30 ±0.4  
 Above 30 ~ 50 ±0.5  
 Angle ±0.3

3RD. ANGEL'S  
  
 UNITS MM

DRAWN BY:	DATE	MAT'L	TITLE	JACK
Jack Lu	11/05/14		MODLE	PHONE JACK
CHECKED BY:	DATE	SCALE	DWG NO.	PJ-296xDT1
Jacky Chen	11/05/14	1 : 1	PART NO.	PJ-296xDT1
APPROVED BY:	DATE	SHEET NO.	1 of 1	
Tony Kao	11/05/14			

ITEM NO.	DESCRIPTION	DRAWN	DATE
1	更新為A0版	Jack	110514