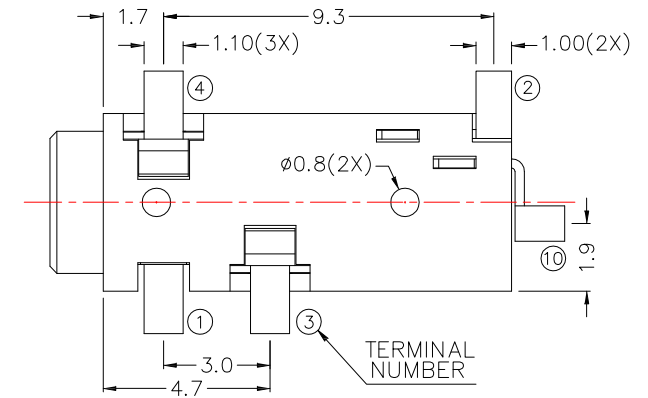
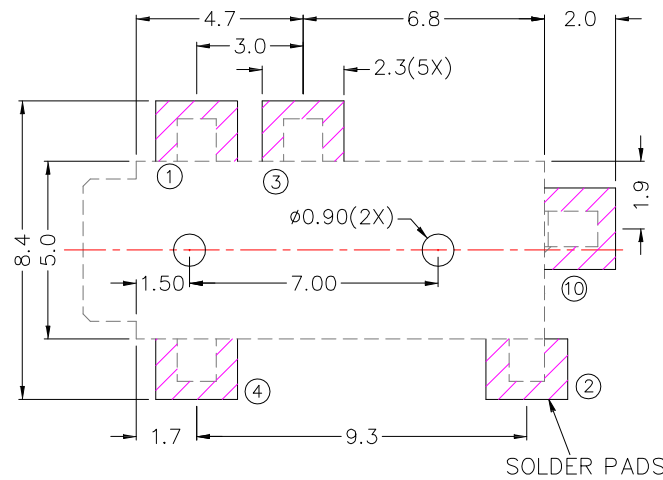


***MATERIAL**

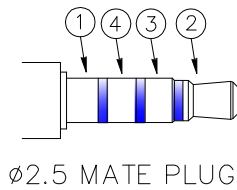
- TERMINAL 1 : PHOSPHOR BRONZE
- TERMINAL 2 : PHOSPHOR BRONZE
- TERMINAL 3 : PHOSPHOR BRONZE
- TERMINAL 4 : PHOSPHOR BRONZE
- TERMINAL 10 : BRASS
- HOUSING : PA6T



SPECIFICATION

1. Rating : DC 12V 1.0A
2. Contact resistance : $\leq 50m\Omega$
3. Insulation resistance : $\geq 100M\Omega$
4. Withstand voltage : 500VAC
5. Insertion and extraction force : 3-30N
6. Life test : 5,000 cycles

RECOMMENDED SOLDER PAD LAYOUT



MODEL NO.	PJ-2765D	PJ-2764D	PJ-2764AD
SCHEMATIC			



TOLERANCE UNLESS OTHERWISE STATED :	Up to 5 ±0.2	3RD. ANGEL'S	UNITS	MM
	Above 5 ~ 15 ±0.3			
	Above 15 ~ 30 ±0.4			
	Above 30 ~ 50 ±0.5			
	Angle ±0.3°			

DRAWN BY:	DATE	MAT'L	TITLE	JACK
Jack Lu	11/03/15		MODLE	PHONE JACK
CHECKED BY:	DATE	SCALE	DWG NO.	PJ-276xD
Jacky Chen	11/03/15	1 : 1	PART NO.	PJ-276xD
APPROVED BY:	DATE	SHEET NO.	1 of 1	
Tony Kao	11/03/15			
				SIZE A4
				VER R1