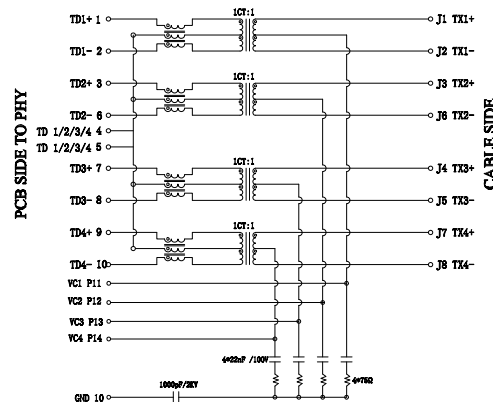
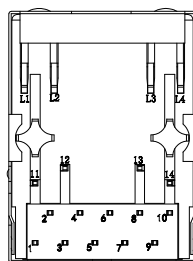
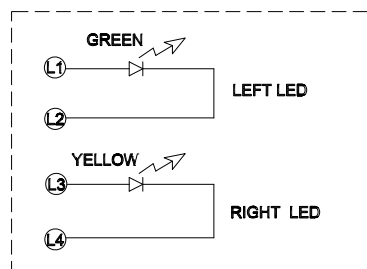


PCB LAYOUT MOUNTING PATTERN



SCHMATIC

ELECTRICAL SPECIFICATIONS AT 25°C

INSERTION LOSS dB max.	Return Loss dB min			Crosstalk (dB TYP)			Common Mode Rejection (dB TYP)		HiPot (Vrms)
	1-100MHz	1-30MHz	30-80MHz	1-30MHz	30-80MHz	80-150MHz	1-50MHz	50-150MHz	
-1.0	-16	-14	-10	-40	-36	-30	-36	-36	1500

Specification LED

Standard led color	Led wavelength	Foward(V MAX)	Typical(V TYP)	Luminous Intensity
Green	560-580nm	2.5V	2.1-2.2V	9-25 MCD
Yellow	580-610nm	2.5V	2.1-2.2V	9-30 MCD

SPECIFICATIONS

Material:

- 1.Housing : PA66,Black
- 2.Terminal Bracket : PA66,Black
- 3.Contact : Phosphor Bronze , Gold Plating over Nickel
- 4.Shield : Brass , Nickel Plated

Environmental:

- 1.Operation Temperature : -40°C ~ +85°C



TOLERANCE UNLESS OTHERWISE STATED :
 Up to 5 ±0.2
 Above 5 ~ 15 ±0.3
 Above 15 ~ 30 ±0.4
 Above 30 ~ 50 ±0.5
 Angle ±0.3°

3RD. ANGEL'S



UNITS MM

DRAWN BY: Jack Lu	DATE 11/10/21	MAT'L	TITLE RJ45
CHECKED BY: Jacky Chen	DATE 11/10/21	FINISH	MODLE RJ45+TRANSFORMER 100/1000 BASE WITH LED
APPROVED BY: Tony Kao	DATE 11/10/21	SCALE 1 : 1	DWG NO. MJ45-111QC4A-GY-S307
		SHEET NO. 1 of 1	PART NO. MJ45-111QC4A-GY-S307
			SIZE A4
			VER R3