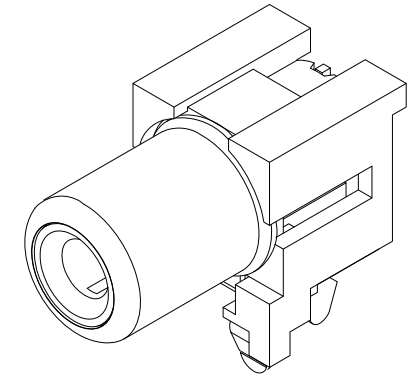


CIRCUIT DIAGRAM

COLOR TYPE	
P/N	A
R	RED
K	BLACK
Y	YELLOW
W	WHITE
G	GREEN
B	BLUE
O	ORANGE



PCB HOLES DIAGRAM
BOTTOM VIEW

NO.	PART NAME	TER.NO.	QTY	MATERIAL	REMARK
3	TERMINAL	1		H62	Sn-Plated
2	OUTER CONTACT	1		H65	Sn-Plated
1	HOUSING	1		PBT	

ITEM NO.	DESCRIPTION	DRAWN	DATE
5	更新材質及鍍層	Jack	081814
4	新增pcb中定位柱尺寸	Jack	122713
3	更新材質	Jack	041613
2	圖面更新	Jack	122512
1	圖面更新	FrankWu	120111

東莞市高迪電子有限公司
DONG GUAN GAO DI ELECTRONICS CO., LTD

TOLERANCE UNLESS OTHERWISE STATED:
Up to 5 ±0.2
Above 5 ~ 15 ±0.3
Above 15 ~ 30 ±0.4
Above 30 ~ 50 ±0.5
Angle ±0.3

3RD. ANGEL'S

UNITS MM

DRAWN BY:	DATE	MAT'L	TITLE	JACK
Jack Lu	08/18/14		MODLE	RCA JACK
CHECKED BY:	DATE	FINISH	SCALE	1 : 1
Jacky Chen	08/18/14		DWG NO.	RCA-103-x-S147
APPROVED BY:	DATE	SHEET NO.	PART NO.	RCA-103-x-S147
Tony Kao	08/18/14	1 of 1		

SIZE A4
VER R5