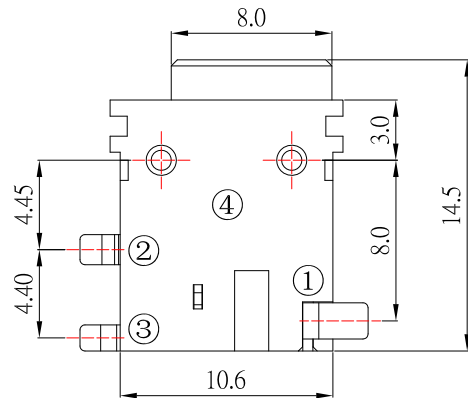
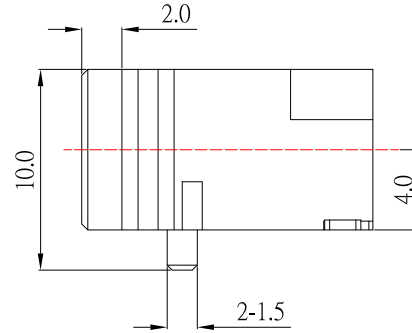
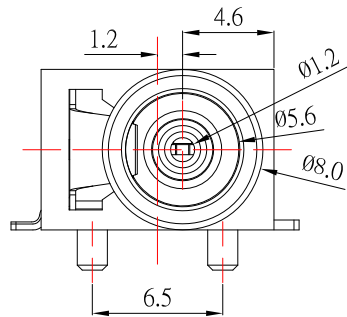
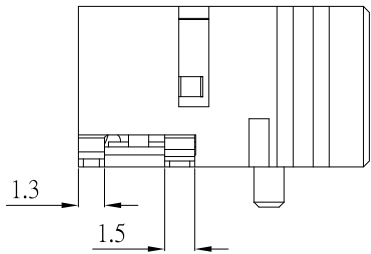
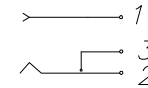


P.C.B LAYOUT
TOP VIEW



ELECTRICAL SCHEMATIC



SPECIFICATION

1. Rating : DC 20V , 4.0A
2. Contact resistance : $\leq 30m\Omega$
3. Insulation resistance : $\geq 100M\Omega$
4. Withstand voltage : 500VAC
5. Insertion and extraction force : 3-30N
6. life test : 5,000 cycles

| NO. | DESCRIPTION | QTY | MATERIAL | PLATING |
|-----|--------------|-----|--------------|------------|
| 4 | HOUSING | 1 | PA9T (BLACK) | |
| 3 | SPRING SHUNT | 1 | BRASS | Ag-Plating |
| 2 | CONTACT PIN | 1 | PBS | Ag-Plating |
| 1 | PIN TERMINAL | 1 | BRASS | Ag-Plating |

東莞市高迪電子有限公司
DONG GUAN GAO DI ELECTRONICS CO., LTD

TOLERANCE UNLESS OTHERWISE STATED:
 Up to 5 ±0.2
 Above 5 ~ 15 ±0.3
 Above 15 ~ 30 ±0.4
 Above 30 ~ 50 ±0.5
 Angle ±0.3°

3RD. ANGEL'S

UNITS MM

| | | | | |
|--------------|----------|-----------|----------|------------------|
| DRAWN BY: | DATE | MAT'L | TITLE | JACK |
| Jack Lu | 09/05/18 | | | |
| CHECKED BY: | DATE | FINISH | MODLE | DC JACK SMT TYPE |
| Jacky Chen | 09/05/18 | | | |
| APPROVED BY: | DATE | SCALE | DWG NO. | DC-S800-1.2-S214 |
| Tony Kao | 09/05/18 | 1 : 1 | | |
| | | SHEET NO. | PART NO. | DC-S800-1.2-S214 |
| | | 1 of 1 | | |

| ITEM NO. | DESCRIPTION | DRAWN | DATE |
|----------|-------------|-------|------|
| | | | |
| | | | |
| | | | |