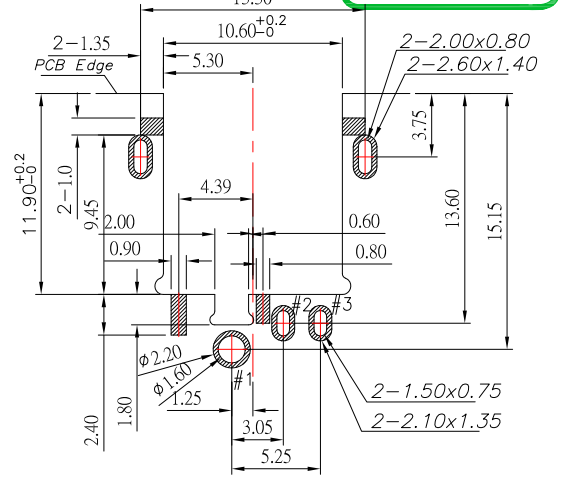
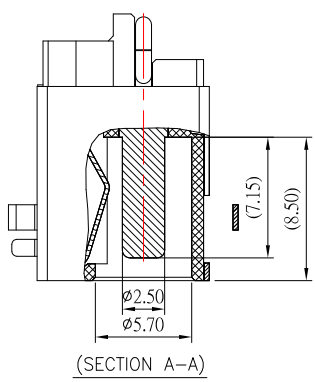
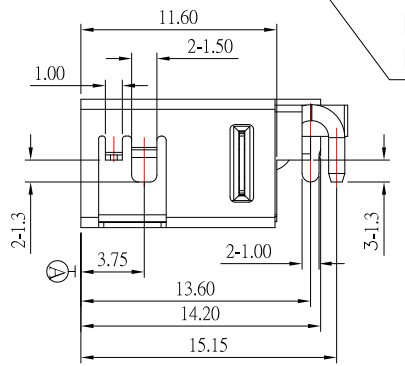
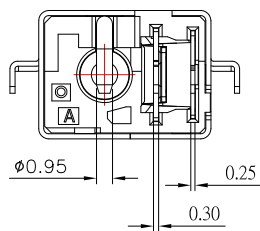


Date Code:YYMMDD
 YY: YEAR(17~XX)
 MM: MONTH(01~12)
 DD: DAY(01~31)



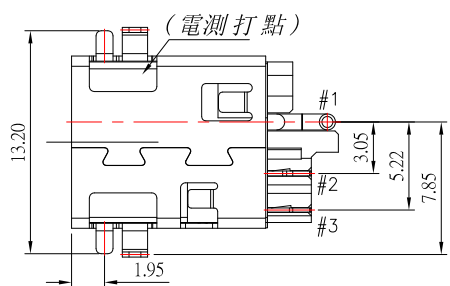
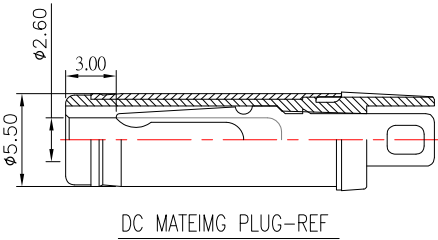
P.C.B LAYOUT MOUNTING PATTERN
(TOP VIEW)



SPECIFICATION

- Rating : DC 20V, 10.0A
- Contact resistance : $\leq 30m\Omega$
- Insulation resistance : $\geq 100M\Omega$
- Withstand voltage : 500VAC
- Insertion and extraction force : 3-30N
- life test : 5,000 cycles .

MODEL NO.	DC-S3018H-x
SCHEMATIC	
CENTER PIN	$\phi 2.0$ mm
	$\phi 2.5$ mm



6	TERMINAL	1	SUS	
5	AHELL	1	BRASS	Ni-Plating
4	CENTER PIN #1	1	H65	Ni/Gold-Plating
3	SHUNT TERMINAL #2	1	BRASS	Gold/Ni/Tin-Plating
2	TIP SPRING #3	1	PHOSPHOR BRONZE	Gold/Ni/Tin-Plating
1	HOUSING	1	LCP(Black)	
NO.	DESCRIPTION	QTY	MATERIAL	PLATING

東莞市高迪電子有限公司
 DONG GUAN GAO DI ELECTRONICS CO., LTD

TOLERANCE UNLESS OTHERWISE STATED:
 Up to 5 ±0.2
 Above 5 ~ 15 ±0.3
 Above 15 ~ 30 ±0.4
 Above 30 ~ 50 ±0.5
 Angle ±0.3°

3RD. ANGEL'S

UNITS MM

DRAWN BY:	DATE	MAT'L	TITLE	JACK
Jack Lu	08/09/21		MODLE	DC JACK
CHECKED BY:	DATE	SCALE	DWG NO.	DC-S3018H-x-S214
Jacky Chen	08/09/21	1 : 1	PART NO.	DC-S3018H-x-S214
APPROVED BY:	DATE	SHEET NO.	SIZE	A4
Tony Kao	08/09/21	1 of 1	VER	R2

2	更新料號	Jack	080921
1	更新料號	Jack	062121
ITEM NO	DESCRIPTION	DRAWN	DATE