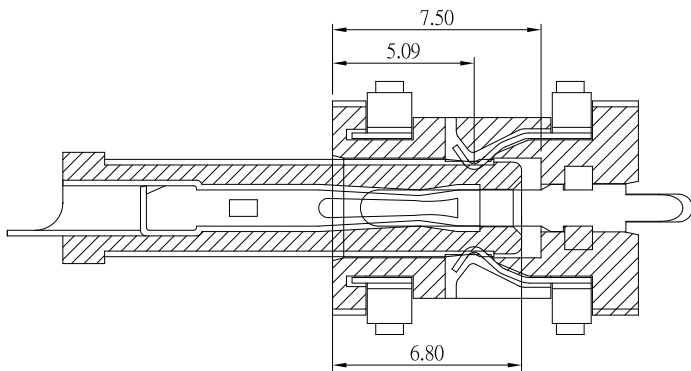
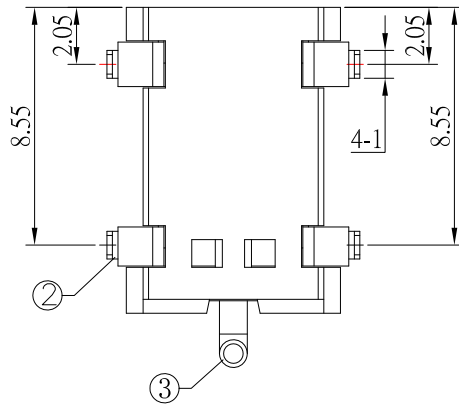


P.C.B LAYOUT (TOP VIEW)



SPECIFICATION

- Rating : DC 30V, 3.0A ;
- Contact resistance :  $\leq 30m\Omega$  ;
- Insulation resistance :  $\geq 100M\Omega$  ;
- Withstand voltage : 500VAC ;
- Insertion and extraction force : 3-20N;
- life test : 5,000 cycles ◦

MODEL NO.	DC-S158-1.3
SCHEMATIC	2
	3
	2

NO.	DESCRIPTION	QTY	MATERIAL	PLATING
3	PIN	1	BRASS	Au-Plating
2	SPRING PIECE	1	PHOSPHOR BRONZE	Au-Plating
1	HOUSING	1	PPA	

ITEM NO.	DESCRIPTION	DRAWN	DATE
3	更新圖面	Jack	010621
2	新增尺寸	Jack	040918
1	更新料號及更新為A0版	Jack	120716

東莞市高迪電子有限公司  
DONG GUAN GAO DI ELECTRONICS CO., LTD

TOLERANCE UNLESS OTHERWISE STATED :  
 Up to 5 ±0.2  
 Above 5 ~ 15 ±0.3  
 Above 15 ~ 30 ±0.4  
 Above 30 ~ 50 ±0.5  
 Angle ±0.3°

3RD. ANGEL'S



UNITS MM

DRAWN BY:	DATE	MAT'L	TITLE	JACK			
Jack Lu	01/06/21						
CHECKED BY:	DATE	FINISH	MODLE	DC JACK			
Jacky Chen	01/06/21						
APPROVED BY:	DATE	SCALE	1 : 1	DWG NO.	DC-S158-1.3-S124	SIZE	A4
Tony Kao	01/06/21	SHEET NO.	1 of 1	PART NO.	DC-S158-1.3-S124	VER	R3