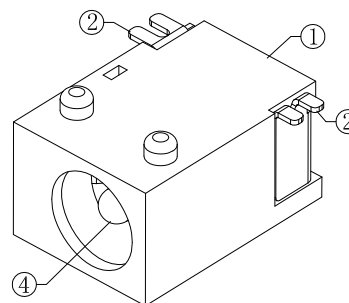
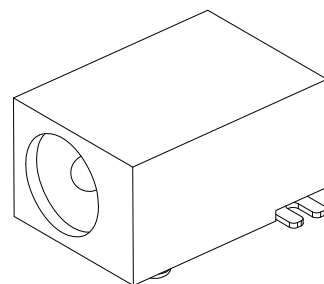
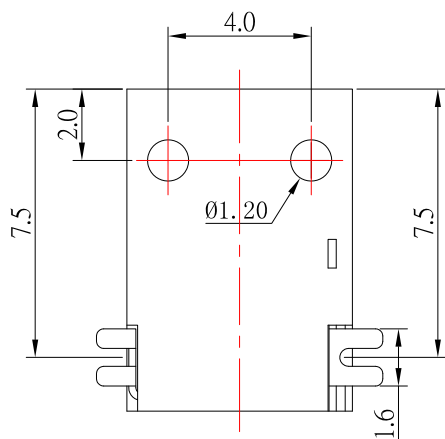


P.C.B LAYOUT
TOP VIEW



SPECIFICATION

1. Rating : DC 30V 2.0A ;
2. Contact resistance : $\leq 30m\Omega$;
3. Insulation resistance : $\geq 100M\Omega$;
4. Withstand voltage : 500VAC ;
5. Insertion and extraction force : 3-20N
6. life test : 5,000 cycles °

MODEL NO.	DC-S047-x-S124
SCHEMATIC	3 (4)
	2
CENTER PIN	Ø1.00 mm
	Ø1.30 mm

NO.	DESCRIPTION	QTY	MATERIAL	PLATING
4	PIN	1	BRASS	Ni-Plating
3	CURVE PIECE	1	BRASS	Ag-Plating
2	SPRING PIECE	1	SUS301	Ag-Plating
1	HOUSING	1	PPA	



TOLERANCE UNLESS OTHERWISE STATED:
 Up to 5 ±0.2
 Above 5 ~ 15 ±0.3
 Above 15 ~ 30 ±0.4
 Above 30 ~ 50 ±0.5
 Angle ±0.3

3RD. ANGEL'S



UNITS MM

DRAWN BY:	DATE	MAT'L	TITLE	JACK
Jack Lu	02/21/17		MODLE	DC JACK
CHECKED BY:	DATE	FINISH	DWG NO.	DC-S047-x-S124
Jacky Chen	02/21/17		PART NO.	DC-S047-x-S124
APPROVED BY:	DATE	SCALE	SHEET NO.	1 of 1
Tony Kao	02/21/17	1 : 1		

ITEM NO.	DESCRIPTION	DRAWN	DATE
1	更新為A0版	Jack	022117

SIZE A4
VER A0