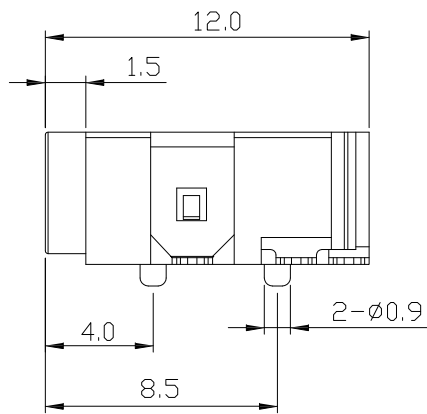
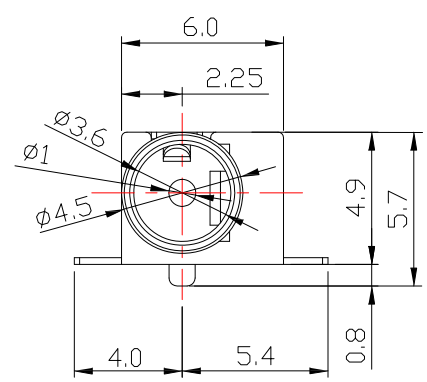
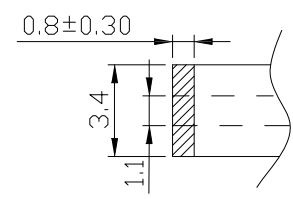


P.C.B LAYOUT
TOP VIEW



MODEL NO.	DC-053D-1.0
SCHEMATIC	



5	HOUSING	1	PA9T	
4	TRRRMINAL#4	1	BRASS	Au-Plating
3	TRRRMINAL#3	1	PHOSPHOR BRONZE	Au-Plating
2	TRRRMINAL#2	1	PHOSPHOR BRONZE	Au-Plating
1	TRRRMINAL#1	1	BRASS	Au-Plating
NO.	DESCRIPTION	QTY	MATERIAL	PLATING

東莞市高迪電子有限公司
DONG GUAN GAO DI ELECTRONICS CO., LTD

TOLERANCE UNLESS OTHERWISE STATED :
 Up to 5 ±0.2
 Above 5 ~ 15 ±0.3
 Above 15 ~ 30 ±0.4
 Above 30 ~ 50 ±0.5
 Angle ±0.3

3RD. ANGLE'S

UNITS MM

DRAWN BY:	DATE	MAT'L	TITLE	JACK
Jack Lu	02/21/22		MODLE	DC JACK
CHECKED BY:	DATE	FINISH	SCALE	1 : 1
Jacky Chen	02/21/22		DWG NO.	DC-053D-1.0-S187
APPROVED BY:	DATE	SHEET NO.	PART NO.	DC-053D-1.0-S187
Tony Kao	02/21/22	1 of 1		

ITEM NO.	DESCRIPTION	DRAWN	DATE