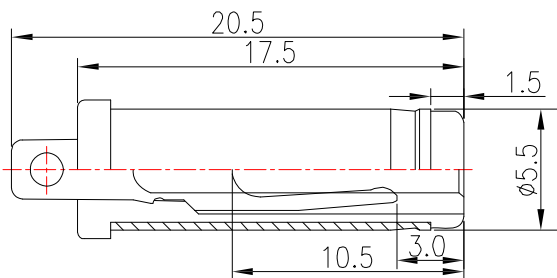


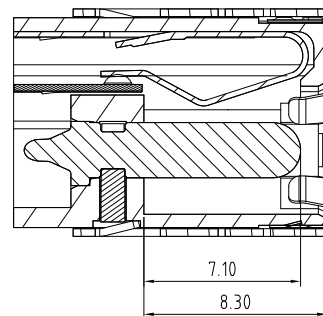
P.C.B LAYOUT
TOP VIEW

SPECIFICATION:

- Rating : DC 24V , 5.0A ;
- Contact resistance : $\leq 30\text{m}\Omega$;
- Insulation resistance : $\geq 100\text{M}\Omega$;
- Withstand voltage : 500VAC ;
- Insertion force : 3-30N;
extraction force : 3-30N;
- life test : 5,000 cycles .



MATING PLUG $\phi 5.50$



Model No.	DC-D303-x
SCHEMATIC	4 CENTER PIN (+) 3 CONTACT FOOT 2 TIP SPRING (-)
CENTER PIN	$\phi 2.00$ mm $\phi 2.50$ mm

NO.	DESCRIPTION	QTY	MATERIAL	PLATING
⑦	STOPPER	1	SUS	
⑥	SHELL	1	BRASS	Ni-Plating
⑤	GROUND	1	SUS	
④	PIN	1	BRASS	Au Plated over Ni
③	CONTACT FOOT	1	BRASS	Ag Plated over Ni
②	SPRING	1	PHOSPHOR BRONZE	Ag Plated over Ni
①	HOUSING	1	LCP	Black

東莞市高迪電子有限公司
DONG GUAN GAO DI ELECTRONICS CO., LTD

TOLERANCE UNLESS OTHERWISE STATED:
 Up to 5 ±0.2
 Above 5 ~ 15 ±0.3
 Above 15 ~ 30 ±0.4
 Above 30 ~ 50 ±0.5
 Angle ±0.3

3RD. ANGEL'S

UNITS MM

DRAWN BY:	DATE	MAT'L	TITLE	JACK
Jack Lu	03/14/24			
CHECKED BY:	DATE	FINISH	MODLE	DC JACK
Jacky Chen	03/14/24			
APPROVED BY:	DATE	SCALE	DWG NO.	DC-D303-x-S214
Tony Kao	03/14/24	1 : 1		
		SHEET NO.	PART NO.	DC-D303-x-S214
		1 of 1		
				SIZE A4
				VER R1

ITEM NO.	DESCRIPTION	DRAWN	DATE
1	更新圖面	Jack	031424