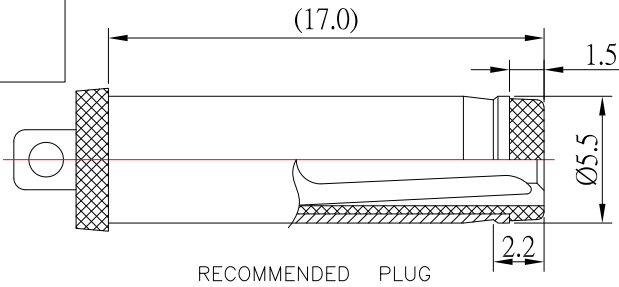
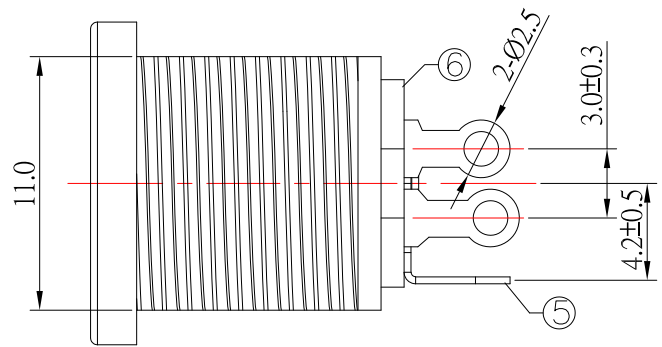
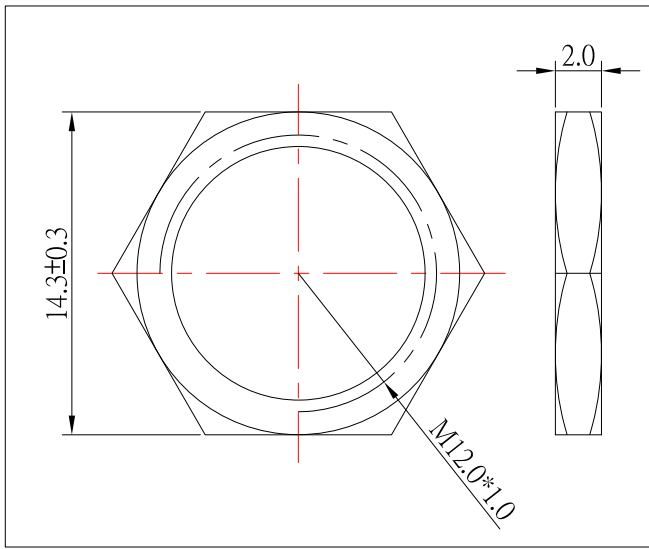


MOUNTING HOLE DIMENSION



RECOMMENDED PLUG

MODEL NO.	DC-D022-x-S124
SCHMATIC	
CENTER PIN	Ø2.0mm
	Ø2.5mm

SPECIFICATION

1. Rating : DC 30V , 3.0A
2. Contact resistance : $\leq 30m\Omega$
3. Insulation resistance : $\geq 100M\Omega$
4. Withstand voltage : 500VAC
5. Insertion and extraction force : 3-20N
6. life test : 5,000 cycles

NO.	DESCRIPTION	QTY	MATERIAL	PLATING
⑦	NUT	1	H59	Ni-Plating
⑥	COVER	1	PBT	
⑤	CONTACT FOOT	1	BRASS	Sn-Plating
④	PIN	1	BRASS	Ni-Plating
③	SPRING	1	PHOSPHOR BRONZE	Sn-Plating
②	FLAT PIECE	1	BRASS	Sn-Plating
①	HOUSING	1	PBT	

9	更新COVER材質	Jack	082924
8	更新圖面	Jack	103122
7	更新尺寸	Jack	051022
6	更新NUT材質	Jack	041922
ITEM NO.	DESCRIPTION	DRAWN	DATE

東莞市高迪電子有限公司
DONG GUAN GAO DI ELECTRONICS CO., LTD

TOLERANCE UNLESS OTHERWISE STATED :
 Up to 5 ±0.2
 Above 5 ~ 15 ±0.3
 Above 15 ~ 30 ±0.4
 Above 30 ~ 50 ±0.5
 Angle ±0.3

3RD. ANGEL'S

UNITS MM

DRAWN BY:	DATE	MAT'L	TITLE	JACK
Jack Lu	08/29/24	FINISH	MODLE	DC JACK
CHECKED BY:	DATE	SCALE	DWG NO.	DC-D022-x-S124
Jacky Chen	08/29/24	1 : 1	PART NO.	DC-D022-x-S124
APPROVED BY:	DATE	SHEET NO.	1 of 1	
Tony Kao	08/29/24			

SIZE A4
VER R9