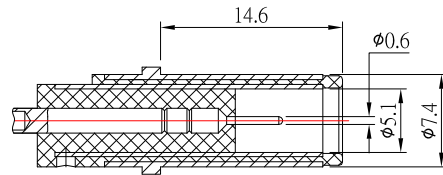
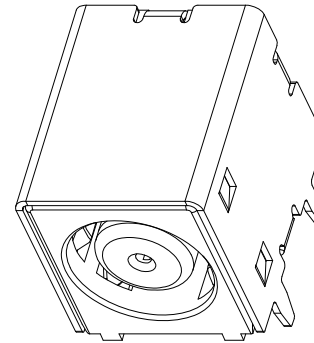
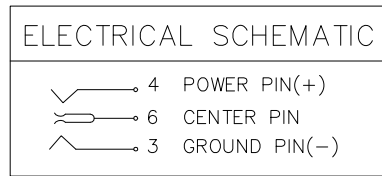
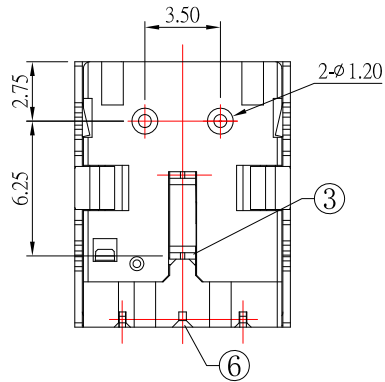


**P.C.B LAYOUT  
TOP VIEW**

**SPECIFICATION**

1. Rating : DC 20V,10.0A
2. Contact resistance :  $\leq 30m\Omega$
3. Insulation resistance :  $\geq 100M\Omega$
4. Withstand voltage : 150VAC
5. Insertion and extraction force : 3-30N
6. life test : 5,000 cycles



RECOMMENDED PLUG

| NO. | DESCRIPTION  | QTY | MATERIAL        | PLATING    |
|-----|--------------|-----|-----------------|------------|
| ⑥   | PIN          | 1   | PHOSPHOR BRONZE | Au-Plating |
| ⑤   | COAT         | 1   | BRASS           | Ni-Plating |
| ④   | SPRING PIECE | 1   | PHOSPHOR BRONZE | Au-Plating |
| ③   | SPRING PIECE | 1   | PHOSPHOR BRONZE | Au-Plating |
| ②   | COVER        | 1   | LCP             |            |
| ①   | HOUSING      | 1   | LCP             |            |

| ITEM NO. | DESCRIPTION | DRAWN | DATE   |
|----------|-------------|-------|--------|
| 3        | 更新材質        | Jack  | 111121 |
| 2        | 新增插入深度尺寸    | Jack  | 050721 |
| 1        | 更新料號        | Jack  | 010721 |



TOLERANCE UNLESS OTHERWISE STATED :  
 Up to 5 ±0.2  
 Above 5 ~ 15 ±0.3  
 Above 15 ~ 30 ±0.4  
 Above 30 ~ 50 ±0.5  
 Angle ±0.3

3RD. ANGEL'S

UNITS MM

| DRAWN BY:    | DATE     | MAT'L     | TITLE              | JACK               |
|--------------|----------|-----------|--------------------|--------------------|
| Jack Lu      | 11/11/21 |           | MODLE              | DC JACK            |
| CHECKED BY:  | DATE     | FINISH    | SCALE              | DWG NO.            |
| Jacky Chen   | 11/11/21 |           | 1 : 1              | DC-093HS1-0.6-S124 |
| APPROVED BY: | DATE     | SHEET NO. | PART NO.           | SIZE               |
| Tony Kao     | 11/11/21 | 1 of 1    | DC-093HS1-0.6-S124 | A4                 |
|              |          |           |                    | VER                |
|              |          |           |                    | R3                 |