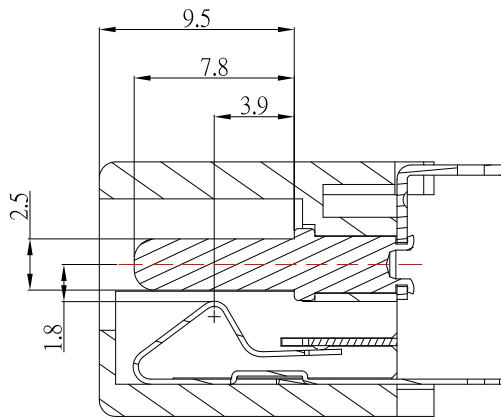
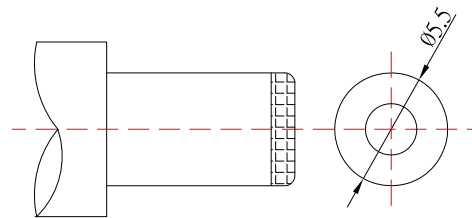
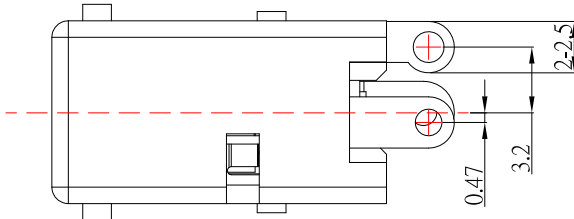


P.C.B LAYOUT
TOP VIEW



SECTION A-A



DC MATE PLUG

MODEL NO.	DC-077-x-A-TN
SCHEMATIC	
CENTER PIN(X)	φ2.0 mm
	φ2.5 mm

SPECIFICATION

- 1.Rating : DC 16V 5.0A
- 2.Contact resistance : $\leq 30m\Omega$
- 3.Insulation resistance : $\geq 100M\Omega$
- 4.Withstand voltage : 500VAC
- 5.Insertion and extraction force : 3-20N
- 6.life test : 5,000 cycles

ITEM	PART NAME	MATERIAL	QTY	REMARK
5	HOUSING	PA66	1	BLACK
4	CENTER PIN	BRASS	1	TIN-PLATING
3	TERMINAL 3	BRASS	1	TIN-PLATING
2	TERMINAL 2	BRASS	1	TIN-PLATING
1	TERMINAL 1	PHOSPHOR BRONZE	1	NI-PLATING



TOLERANCE UNLESS OTHERWISE STATED :
 Up to 5 ±0.2
 Above 5 ~ 15 ±0.3
 Above 15 ~ 30 ±0.4
 Above 30 ~ 50 ±0.5
 Angle ±0.3

3RD. ANGEL'S

 UNITS MM

DRAWN BY:	DATE	MAT'L	TITLE	JACK
Jack Lu	08/30/18	FINISH	MODLE	DC JACK
CHECKED BY:	DATE	SCALE	DWG NO.	DC-077-x-A-TN-S214
Jacky Chen	08/30/18	SHEET NO.	PART NO.	DC-077-x-A-TN-S214
APPROVED BY:	DATE	SIZE	VER	R1
Tony Kao	08/30/18	1 of 1		

ITEM NO.	DESCRIPTION	DRAWN	DATE
1	更新SCHEMATIC	Jack	083018