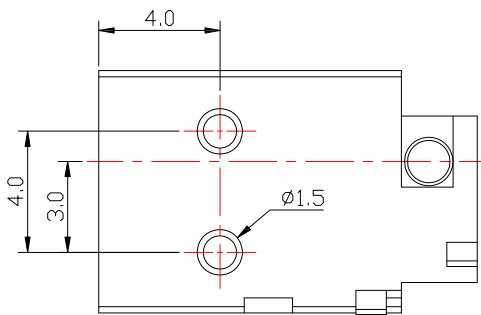


RECOMMENDED PLUG



MODEL NO.	DC-066
SCHEMATIC	4(+)
	3
	2(-)

SPECIFICATION

1. Rating : DC 30V , 2.0A ;
2. Contact resistance : $\leq 30m\Omega$;
3. Insulation resistance : $\geq 100M\Omega$;
4. Withstand voltage : 500VAC ;
5. Insertion and extraction force : 3-30N;
6. life test : 5,000 cycles °

4	PIN	1	BRASS	Ni-Plating
3	CURVE PIECE	1	BRASS	Ag-Plating
2	SPRING	1	PHOSPHOR BRONZE	Ag-Plating
1	HOUSING	1	PBT	
NO.	DESCRIPTION	QTY	MATERIAL	PLATING



TOLERANCE UNLESS OTHERWISE STATED :
 Up to 5 ±0.2
 Above 5 ~ 15 ±0.3
 Above 15 ~ 30 ±0.4
 Above 30 ~ 50 ±0.5
 Angle ±0.3°

3RD. ANGEL'S



UNITS MM

DRAWN BY:	DATE	MAT'L	TITLE	JACK
Jack Lu	08/29/22		MODLE	DC JACK
CHECKED BY:	DATE	SCALE	DWG NO.	DC-066-1.65-S124
Jacky Chen	08/29/22	1 : 1	PART NO.	DC-066-1.65-S124
APPROVED BY:	DATE	SHEET NO.	1 of 1	
Tony Kao	08/29/22			

2	更新圖面	Jack	082922
1	更新為A0版	Jack	100516
ITEM NO.	DESCRIPTION	DRAWN	DATE