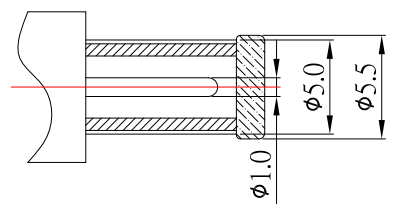
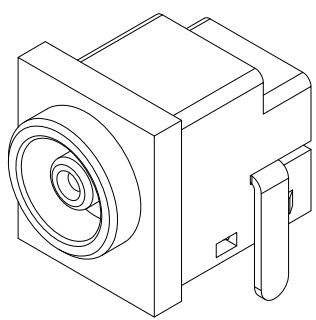


P.C.B LAYOUT
BOTTOM VIEW

SPECIFICATION

1. Rating : DC 24V, 3.0A
2. Contact resistance : $\leq 50m\Omega$
3. Insulation resistance : $\geq 100M\Omega$
4. Withstand voltage : 500VAC
5. Insertion and extraction force : 3-30N
6. life test : 5,000 cycles



DC MATE PLUG

MODEL NO.	DC-058-2-1.0
SCHEMATIC	

NO.	DESCRIPTION	QTY	MATERIAL	PLATING
4	PIN	1	BRASS	Tin-Plating
3	CONTACT	1	BRASS	Tin-Plating
2	CONTACT	1	COPPER ALLOY	Tin-Plating
1	HOUSING	1	PBT	Black



TOLERANCE UNLESS OTHERWISE STATED :
 Up to 5 ±0.2
 Above 5 ~ 15 ±0.3
 Above 15 ~ 30 ±0.4
 Above 30 ~ 50 ±0.5
 Angle ±0.3



DRAWN BY:	DATE	MAT'L	TITLE	JACK
Jack Lu	08/14/18			
CHECKED BY:	DATE	FINISH	MODLE	DC JACK HOUSING:PBT
Jacky Chen	08/14/18			
APPROVED BY:	DATE	SCALE	DWG NO.	DC-058-2-1.0-S214
Tony Kao	08/14/18	1 : 1	PART NO.	DC-058-2-1.0-S214
		SHEET NO.	1 of 1	
				SIZE A4
				VER R1

ITEM NO.	DESCRIPTION	DRAWN	DATE
1	更新MODLE	Jack	081418