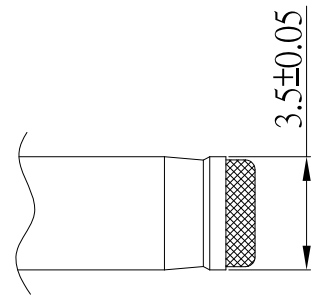
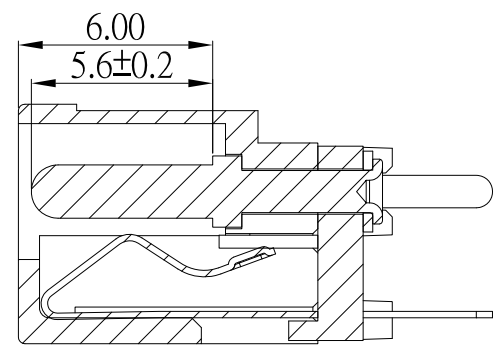
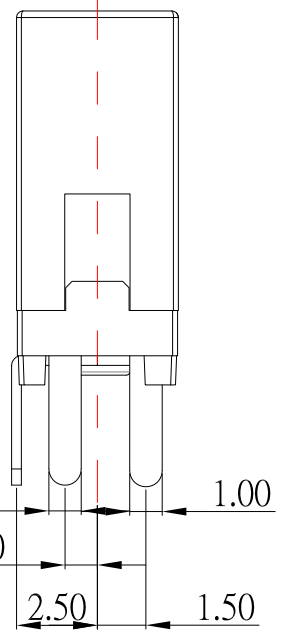
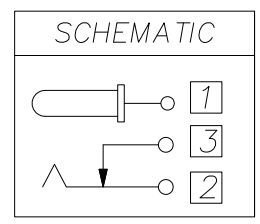


P.C.B LAYOUT  
TOP VIEW



DC MATE PLUG



SPECIFICATION

- 1.Rating : DC 30V, 1.0A ;
- 2.Contact resistance :  $\leq 30m\Omega$  ;
- 3.Insulation resistance :  $\geq 100M\Omega$  ;
- 4.Withstand voltage : 500VAC ;
- 5.Insertion and extraction force : 3-30N;
- 6.life test : 5,000 cycles °

NO.	DESCRIPTION	QTY	MATERIAL	FINISH
⑥	SHUNT TERMINAL	3	BRASS	Ag-Plated
⑤	TIP SPRING	2	SUS	Ag-Plated
④	CENTER PIN TERMINAL	1	BRASS	Ag-Plated
③	CENTER PIN	1	BRASS	Ni-Plated
②	COVER	1	PBT(BLACK)	
①	HOUSING	1	PBT(BLACK)	



TOLERANCE UNLESS OTHERWISE STATED:  
 Up to 5 ±0.2  
 Above 5 ~ 15 ±0.3  
 Above 15 ~ 30 ±0.4  
 Above 30 ~ 50 ±0.5  
 Angle ±0.3°

3RD. ANGEL'S



UNITS

MM

DRAWN BY:	DATE	MAT'L	TITLE	JACK
Jack Lu	09/25/23		MODLE	DC JACK
CHECKED BY:	DATE	FINISH	SCALE	1 : 1
Jacky Chen	09/25/23		DWG NO.	DC-009V-1.65-S457
APPROVED BY:	DATE	SHEET NO.	PART NO.	DC-009V-1.65-S457
Tony Kao	09/25/23	1 of 1		

ITEM NO.	DESCRIPTION	DRAWN	DATE