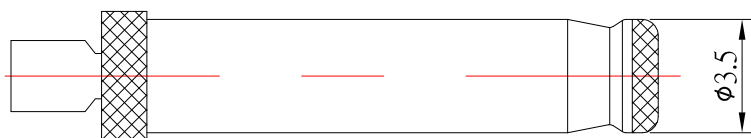
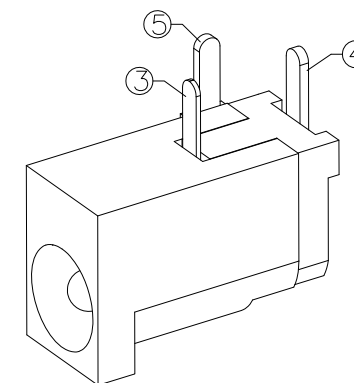


P.C.B LAYOUT  
TOP VIEW



RECOMMENDED PLUG

MODEL NO.	DC-009-1-x-S124
SCHEMATIC	
CENTER PIN	φ1.0 mm
	φ1.3 mm

SPECIFICATION

1. Rating : DC 30V 1.5A ;
2. Contact resistance : ≤30mΩ ;
3. Insulation resistance : ≥100MΩ ;
4. Withstand voltage : 500VAC ;
5. Insertion and extraction force : 3-20N;
6. life test : 5,000 cycles °

6	PIN	1	BRASS	Ni-PLATED
5	CURVE PIECE	1	BRASS	Sn-PLATED
4	FLAT PIECE	1	BRASS	Sn-PLATED
3	SPRING	1	SUS	Sn-PLATED
2	COVER	1	PBT	
1	HOUSING	1	PBT	
NO.	DESCRIPTION	QTY	MATERIAL	FINISH

3	更新樣式	Lan	062019
2	更新圖面	Jack	112917
1	更新為A0版	Jack	100516
ITEM NO.	DESCRIPTION	DRAWN	DATE

東莞市高迪電子有限公司  
DONG GUAN GAO DI ELECTRONICS CO., LTD

TOLERANCE UNLESS OTHERWISE STATED:

Up to 5 ±0.2  
Above 5 ~ 15 ±0.3  
Above 15 ~ 30 ±0.4  
Above 30 ~ 50 ±0.5  
Angle ±0.3°

3RD. ANGEL'S



UNITS

MM

DRAWN BY:	DATE	MAT'L	TITLE	JACK
Jack Lu	06/20/19	FINISH	MODLE	DC JACK
CHECKED BY:	DATE	SCALE	DWG NO.	DC-009-1-x-S124
Jacky Chen	06/20/19	SHEET NO.	PART NO.	DC-009-1-x-S124
APPROVED BY:	DATE	1 of 1		
Tony Kao	06/20/19			

SIZE A4  
VER R3