



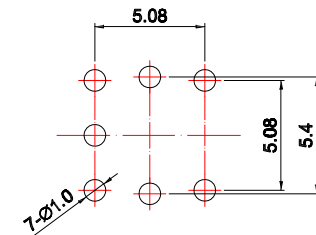
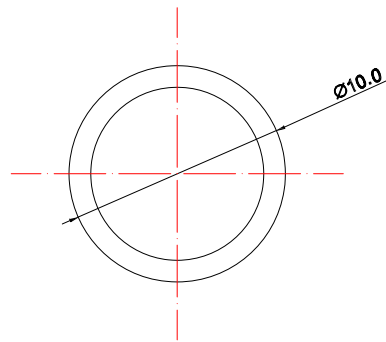
# TS-H5-xx-Sx-S065

COLOR OF LED

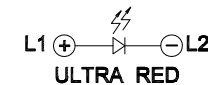
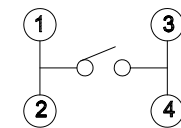
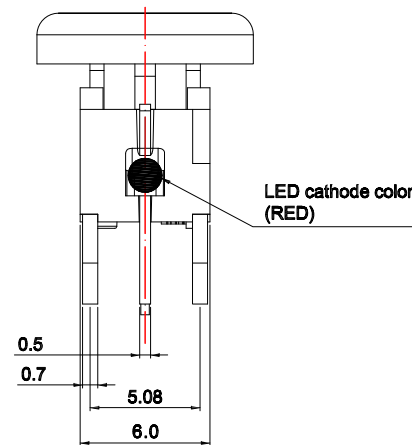
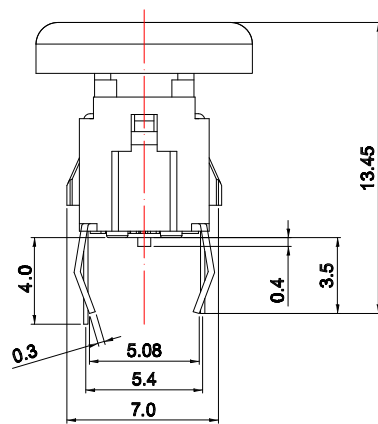
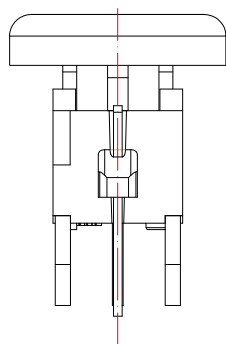
0	Without	1	Red
2	Green	3	Orange
4	Yellow	7	Blue
8	White		

CAP Color

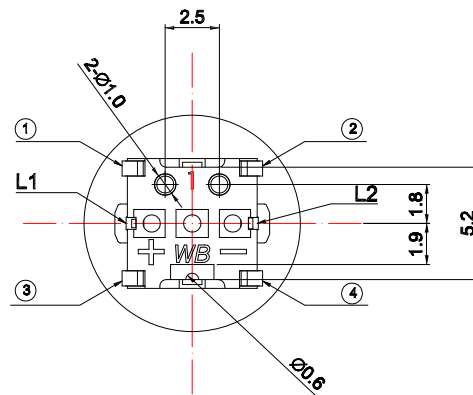
0	Without	1	Red
2	Green	3	Yellow
4	Ivory	5	Gray
6	Black	8	White



P.C.B LAYOUT



SCHEMATIC



## SPECIFICATIONS

Rating	DC 12V, 50mA
Contact Resistance	100 mΩ Max.
Insulation Resistance	100 MΩ Min.
Operating Temperature	-40°C ~ +85°C
Operating Force	180 ± 50gf
Operating Life (cycles)	500,000



TOLERANCE UNLESS OTHERWISE STATED:  
 Up to 5 ±0.2  
 Above 5 ~ 15 ±0.3  
 Above 15 ~ 30 ±0.4  
 Above 30 ~ 50 ±0.5  
 Angle ±0.3

3RD. ANGEL'S



UNITS MM

DRAWN BY:	DATE	MAT'L	TITLE	SWITCH
Jack Lu	07/02/19		MODLE	TACT SWITCH W/I LED
CHECKED BY:	DATE	FINISH	SCALE	1 : 1
Jacky Chen	07/02/19		DWG NO.	TS-H5-xx-Sx-S065
APPROVED BY:	DATE	SHEET NO.	PART NO.	TS-H5-xx-Sx-S065
Tony Kao	07/02/19	1 of 1		

1	更新料號	Jack	070219
ITEM NO.	DESCRIPTION	DRAWN	DATE