

CIRCUIT DIAGRAM

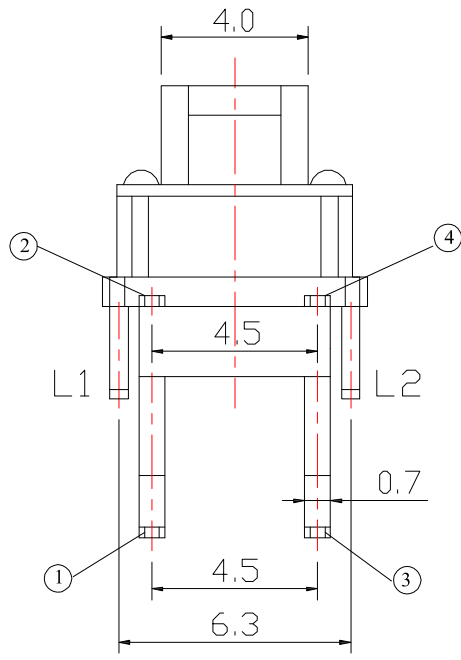
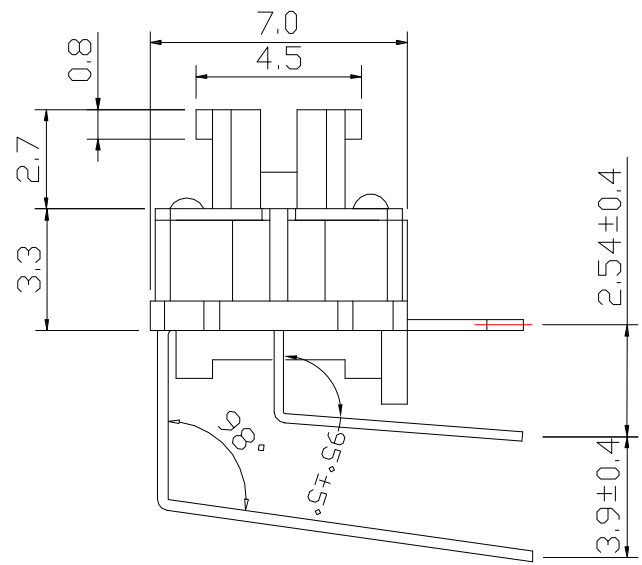
P.C.B LAYOUT

COLOR OF LED

0	Without	1	Red
2	Green	3	Orange
4	Yellow	7	Blue
8	White		

SPECIFICATIONS

Switch Rating	DC 12V, 50mA
LED Rating	DC : 2.8~3.4V, 30mA
Contact Resistance	100mΩ Max.
Operating Force	160±50gf
Operating Life (cycles)	100,000



NO.	DESCRIPTION	QTY	MATERIAL	PLATING
5	COVER	1	PET	Natural
4	CONTACT	1	PHOSPHOR BRONZE	Ag plated
3	TERMINAL	1	BRASS	Ag plated
2	CASE	1	PA9T	Black
1	KNOB	1	PA9T	White

ITEM NO.	DESCRIPTION	DRAWN	DATE
7	更新CIRCUIT DIAGRAM	Jack	122920
6	更新MODLE	Jack	122120
5	新增pin編號位置	Jack	072419
4	更新材質	Jack	111516
3	更新圖面樣式及尺寸	Jack	062916
2	新增SPEC	Jack	062016
1	更新圖面尺寸	Jack	101915



TOLERANCE UNLESS OTHERWISE STATED:

Up to 5	±0.2
Above 5 ~ 15	±0.3
Above 15 ~ 30	±0.4
Above 30 ~ 50	±0.5
Angle	±0.3

3RD. ANGEL'S

DRAWN BY:	DATE	MAT'L	TITLE	SWITCH
Jack Lu	12/29/20			
CHECKED BY:	DATE	FINISH	MODLE	TACT SWITCH WITH LED(少兩個固定腳)
Jacky Chen	12/29/20			
APPROVED BY:	DATE	SCALE	DWG NO.	TS-xx-C0-E0-RL3-S313
Tony Kao	12/29/20	1 : 1		
		SHEET NO.	PART NO.	TS-xx-C0-E0-RL3-S313
		1 of 1		
				SIZE A4
				VER R7

UNITS MM