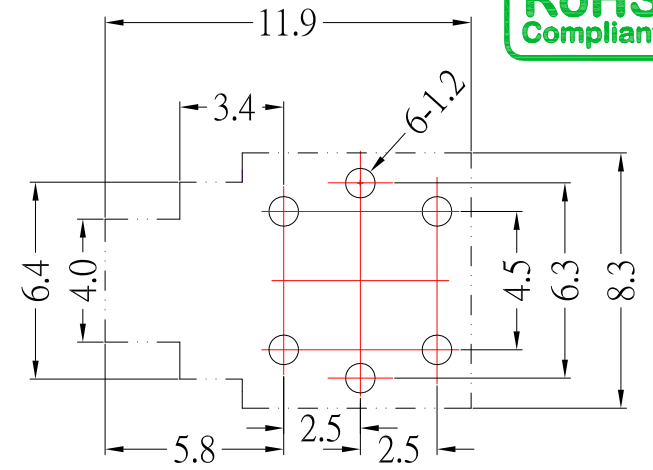
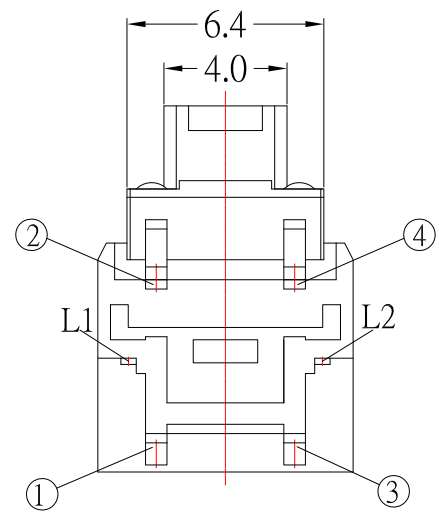
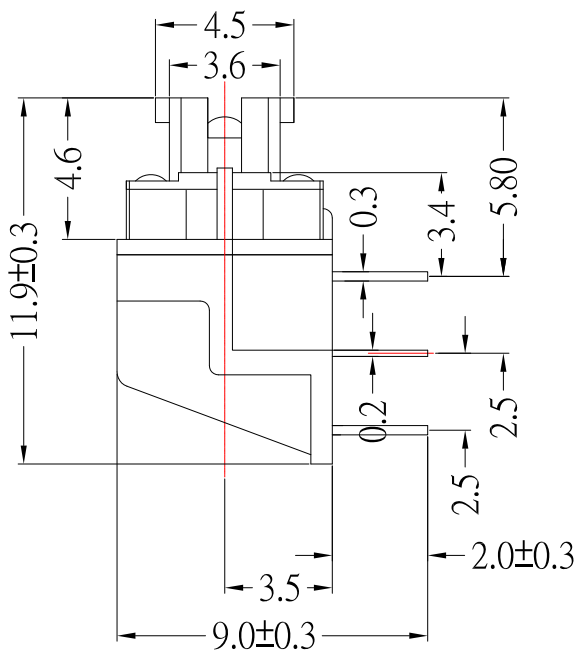


CIRCUIT DIAGRAM



P.C.B LAYOUT
BOTTOM VIEW



TS-M8-xx-E0RL-S313

COLOR OF LED

0	Without	1	Red
2	Green	4	Yellow
7	Blue	8	White

NO.	DESCRIPTION	QTY	MATERIAL	PLATING
7	LED	1		
6	BASE	1	PA6T	Black
5	CONTACT	1	PHOSPHOR BRONZE	Ag plated
4	TERMINAL	1	BRASS	Ag plated
3	CASE	1	PA6T	Black
2	COVER	1	PPA	Black
1	KNOB	1	PA46	White

東莞市高迪電子有限公司
DONG GUAN GAO DI ELECTRONICS CO., LTD

TOLERANCE UNLESS OTHERWISE STATED:

Up to 5 ±0.2
Above 5 ~ 15 ±0.3
Above 15 ~ 30 ±0.4
Above 30 ~ 50 ±0.5
Angle ±0.3

3RD. ANGEL'S



UNITS

MM

DRAWN BY: Jack Lu
CHECKED BY: Jacky Chen
APPROVED BY: Tony Kao

DATE: 07/16/21
DATE: 07/16/21
DATE: 07/16/21

MAT'L
FINISH
SCALE: 1 : 1
SHEET NO.: 1 of 1

TITLE: SWITCH
MODLE: TACT SWITCH WITH LED SMT 捲裝
DWG NO.: TS-M8-xx-E0RL-S313
PART NO.: TS-M8-xx-E0RL-S313

ITEM NO.	DESCRIPTION	DRAWN	DATE
3	更新樣式	Jack	071621
2	更新尺寸	Jack	051421
1	更新尺寸	Jack	052719