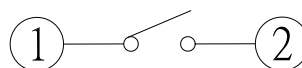
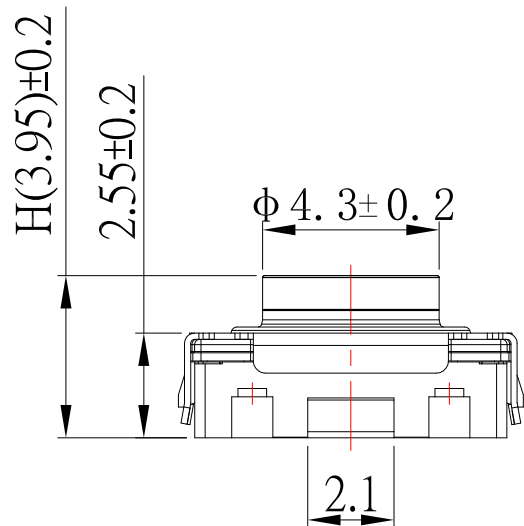


P.C.B MOUNTING PATTERN DIMENSION



CIRCUIT DIAGRAM

SPECIFICATIONS

|                         |                  |
|-------------------------|------------------|
| Rating                  | DC 12V 50mA Max. |
| Contact Resistance      | 100mΩ Max.       |
| Travel                  | 0.90 ± 0.2mm     |
| Operating Force         | 400 ± 80gf       |
| Operating Life (cycles) | 500,000          |

| NO | PART NAME         | QTY | MATERIAL | REMARK     |
|----|-------------------|-----|----------|------------|
| 5  | TERMINAL (端子)     | 1   | H65      | Ag plating |
| 4  | HOUSING (基座)      | 1   | LCP      | —          |
| 3  | CONTACT FORM (弹片) | 1   | SUS      | Ag plating |
| 2  | COVER (盖板)        | 1   | SUS      |            |
| 1  | STEM (按钮)         | 1   | SILICONE |            |

东莞市高迪电子有限公司  
DONG GUAN GAO DI ELECTRONICS CO., LTD

TOLERANCE UNLESS OTHERWISE STATED:  
 Up to 5 ±0.2  
 Above 5 ~ 15 ±0.3  
 Above 15 ~ 30 ±0.4  
 Above 30 ~ 50 ±0.5  
 Angle ±0.3

3RD. ANGEL'S



UNITS MM

DRAWN BY: Jack Lu  
 CHECKED BY: Jacky Chen  
 APPROVED BY: Tony Kao

DATE: 10/29/19  
 DATE: 10/29/19  
 DATE: 10/29/19

|                  |          |                                |
|------------------|----------|--------------------------------|
| MATL             | TITLE    | SWITCH                         |
| FINISH           | MODLE    | TACT SWITCH Long Travel :0.9mm |
| SCALE 1 : 1      | DWG NO.  | TS-A69-7-S138                  |
| SHEET NO. 1 of 1 | PART NO. | TS-A69-7-S138                  |

| ITEM NO. | DESCRIPTION | DRAWN | DATE |
|----------|-------------|-------|------|
|          |             |       |      |
|          |             |       |      |
|          |             |       |      |