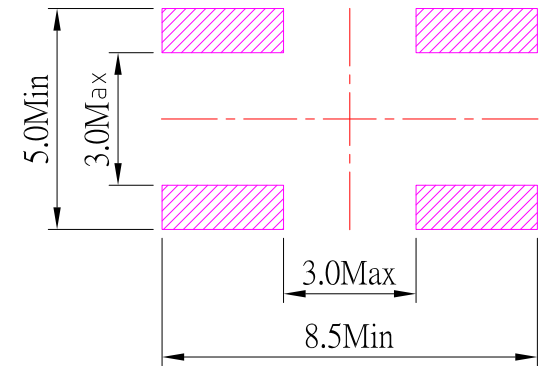
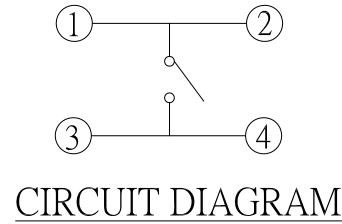
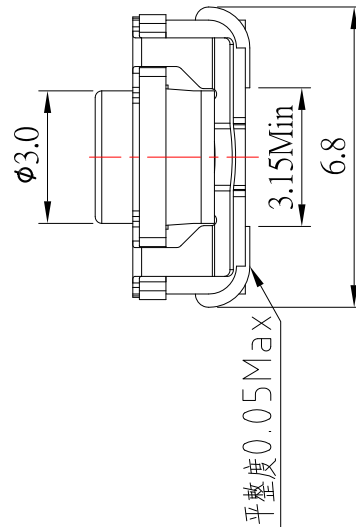
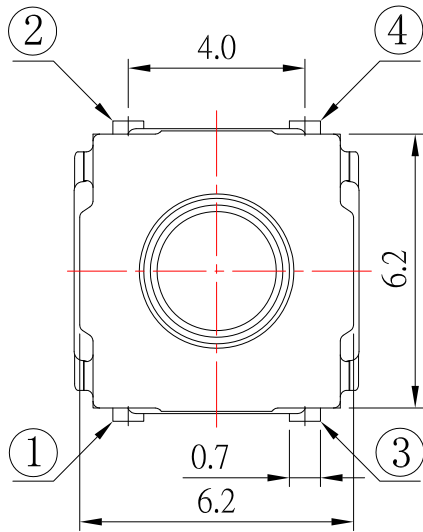


IP67



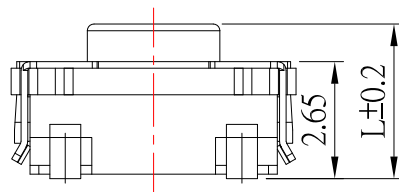
PCB LAYOUT

SPECIFICATIONS

Rating	DC 12V, 50mA.
Insulation Resistance	100 MΩ Min.
Contact Resistance	100 mΩ Max.
Travel	0.50 ± 0.30mm
Operating Force	2   180 ± 50gf   7   400 ± 100gf
Operating Life (cycles)	100,000

TS-A53WUx-xS-S138

X	L (mm)	Operoling Force
Blank	3.5	
A	5.2	



NO.	DESCRIPTION	QTY	MATERIAL	PLATING
E	TERMINAL	4	BRASS	Ag plated
D	CONTACT	1	SUS	Ag plated
C	COVER	1	SUS	
B	BASE	1	PA6T	
A	STEM	1	SILICONE(WHITE)	



TOLERANCE UNLESS OTHERWISE STATED :  
 Up to 5 ±0.2  
 Above 5 ~ 15 ±0.3  
 Above 15 ~ 30 ±0.4  
 Above 30 ~ 50 ±0.5  
 Angle ±0.3

3RD. ANGEL'S



UNITS MM

DRAWN BY:	DATE	MAT'L	TITLE	SWITCH
Jack Lu	06/23/21			
CHECKED BY:	DATE	FINISH	MODLE	TACT SWITCH SMT 防水型 IP67
Jacky Chen	06/23/21			
APPROVED BY:	DATE	SCALE	DWG NO.	TS-A53WUx-xS-S138
Tony Kao	06/23/21	1 : 1		
		SHEET NO.	PART NO.	TS-A53WUx-xS-S138
		1 of 1		

ITEM NO.	DESCRIPTION	DRAWN	DATE
2	新增按鍵高度選項	Jack	062321
1	新增Operating Force選項	Jack	100720