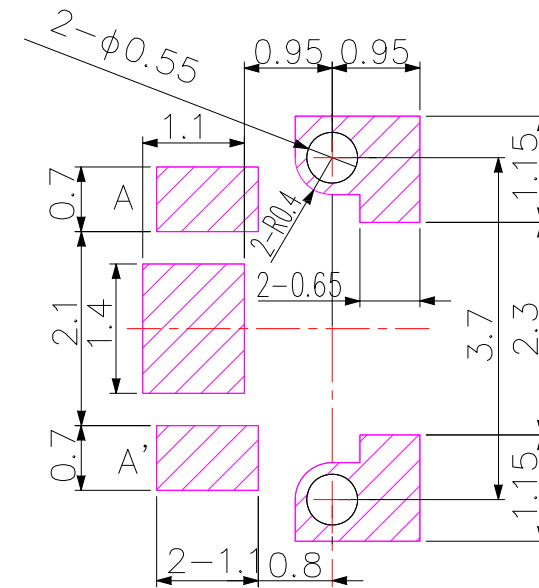
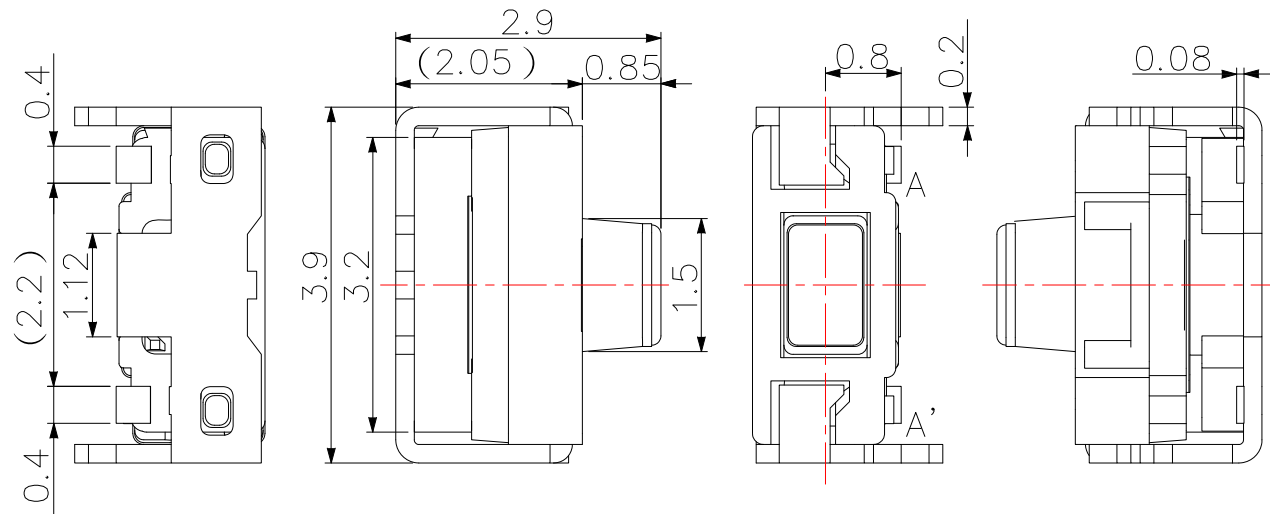
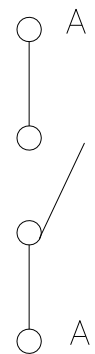
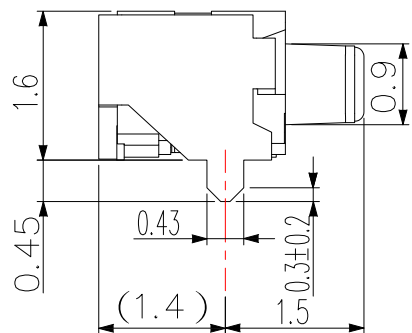


IP67



P.C.B LAND PATTERN & HOLE



CIRCUIT DIAGRAM

SPECIFICATIONS

Rating	DC 15V 20mA
Contact Resistance	100m $\Omega$ Max.
Travel	0.12 mm
Operating Force	160 $\pm$ 50gf
Operating Life (cycles)	500,000

東莞市高迪電子有限公司  
DONG GUAN GAO DI ELECTRONICS CO., LTD

TOLERANCE UNLESS OTHERWISE STATED:  
 Up to 5  $\pm$ 0.2  
 Above 5 ~ 30  $\pm$ 0.3  
 Above 30 ~ 50  $\pm$ 0.4  
 Above 50  $\pm$ 0.5  
 Angle  $\pm$ 0.3

3RD. ANGEL'S



UNITS MM

DRAWN BY:	DATE	MAT'L	TITLE	SWITCH
Jack Lu	06/07/21		MODLE	TACT SWITCH R/A WATERPROOF TYPE
CHECKED BY:	DATE	SCALE	DWG NO.	TS-309W-2-S182
Jacky Chen	06/07/21	1 : 1	PART NO.	TS-309W-2-S182
APPROVED BY:	DATE	SHEET NO.	1 of 1	
Tony Kao	06/07/21			

ITEM NO.	DESCRIPTION	DRAWN	DATE